

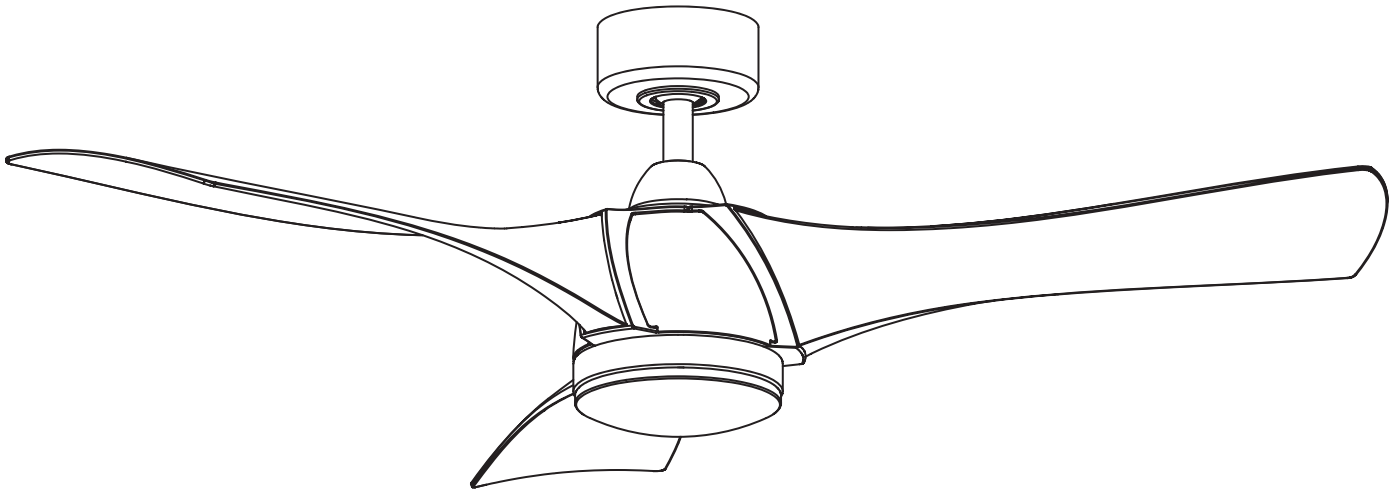


**FANIMATION**<sup>®</sup>  
SHOWROOM COLLECTION

## KLEAR™ CEILING FAN

MODEL #FPD6858\*\*

**Español p. 33**



**ATTACH YOUR RECEIPT HERE AND REGISTER YOUR FAN AT [FANIMATION.COM](http://FANIMATION.COM)  
READ AND SAVE THESE INSTRUCTIONS**

**Date Code** \_\_\_\_\_ **Purchase Date** \_\_\_\_\_ Net Weight 16.98 lbs (7.70 kgs)

For best and quickest service please provide date code. You can find the date code on the carton, hand-held remote (inside of the battery compartment), receiver or top of fan housing.



**Questions, problems, missing parts?** Before returning to your retailer, call our customer service department at 1-888-567-2055, 8 a.m.-5 p.m., EST, Monday-Friday.

## Important Safety Instructions

**WARNING: To avoid fire, shock and serious personal injury, follow these instructions.**

1. Read your owner's manual and safety information before installing your new fan. Review the accompanying assembly diagrams.
2. Before servicing or cleaning unit, switch power off at service panel and lock service panel disconnecting means to prevent power from being switched on accidentally. When the service disconnecting means cannot be locked, securely fasten a warning device, such as a tag, to the service panel.
3. Be careful of the fan and blades when cleaning, painting, or working near the fan. Always turn off the power to the ceiling fan before servicing.
4. Do not insert anything into the fan blades while the fan is operating.
5. Do not operate reversing switch until fan blades have come to a complete stop.
6. The appliance is not intended for use by young children or infirm persons without supervision. Young children should be supervised to ensure that they do not play with the appliance.

## Additional Safety Instructions

1. To avoid possible shock, be sure electricity is turned off at the fuse box before wiring, and do not operate fan without blades.
2. All wiring and installation procedures must satisfy National Electrical Codes (ANSI/ NFPA 70) and Local Codes. The ceiling fan must be grounded as a precaution against possible electrical shock. Electrical installation should be made or approved by a licensed electrician.
3. The fan base must be securely mounted and capable of reliably supporting at least 35 lbs. (fan and accessories not to exceed 35 lbs. or 15.9 kgs.). See page 5 of owner's manual for support requirements. Consult a qualified electrician if in doubt.
4. The fan must be mounted with the fan blades at least 7 feet from the floor to prevent accidental contact with the fan blades.
5. Follow the recommended instructions for the proper method of wiring your ceiling fan. If you do not have adequate electrical knowledge or experience, have your fan installed by licensed electrician.
6. Suitable for use with solid-state speed controls supplied with this product and/or any accessories designated specifically for use with this product by Fanimation.
7. This fan is suitable for use in dry and/or damp locations.
8. Use only with light kits marked suitable for use in damp locations.
9. For supply connections, if the conductor of a fan is identified as a grounded conductor, then it should be connected to a grounded conductor power supply. If the conductor of a fan is identified as an ungrounded conductor, then it should be connected to an ungrounded conductor power supply. If the conductor of a fan is identified for equipment grounding, then it should be connected to an equipment grounding conductor.
10. Turn off wall control can override any smart enabled appliance or remote control commands.
11. The remote control of this product contain lithium button/coin cell batteries. If a new or used lithium button/coin cell battery is swallowed or enters the body, it can cause severe internal burns and can lead to death in as little as 2 hours. Always completely secure the battery compartment. If the battery compartment does not close securely, stop using the remote control of the product, remove the batteries, and keep it away from children. If you think batteries might have been swallowed or placed inside any part of the body, seek immediate medical attention.
  - The cells shall be disposed of properly, including keeping them away from children.
  - Even used cells may cause injury.

**WARNING:** Chemical Burn Hazard. Keep batteries away from children.

**WARNING:** TO REDUCE THE RISK OF ELECTRIC SHOCK, THIS FAN MUST BE INSTALLED WITH A GENERAL USE ISOLATING WALL CONTROL/SWITCH.

**WARNING:** This product is designed to use only those parts supplied with this product and/or accessories designated specifically for use with this product. Using parts and/or accessories not designated for use with this product could result in personal injury or property damage.

**WARNING:** To reduce the risk of personal injury, do not bend the blade when installing the blade, balancing the blade, or cleaning the fan. Do not insert foreign objects in between rotating fan blade.

**WARNING:** Do not operate this fan with a variable (Rheostat) wall controller or dimmer switch. Doing so could result in damage to the ceiling fan's remote control unit.

**WARNING:** Mount to an outlet box marked acceptable for fan support of 15.9 kg (35 lbs) or Less.

**WARNING:** To Reduce The Risk Of Fire, Electric Shock Or Injury To Persons, Do Not Use Replacement Parts That Have Not Been Recommended By The Manufacturer (e.g. Parts Made At Home Using A 3D Printer).

**This device complies with Part 15 of the FCC Rules. Operation is subject to the following two conditions: (1) This device may not cause harmful interference, and (2) this device must accept any interference received, including interference that may cause undesired operation.**

Please note that changes or modifications not expressly approved by the party responsible for compliance could void the user's authority to operate the equipment.

**Note:** This equipment has been tested and found to comply with the limits for Class B digital device, pursuant to part 15 of the FCC Rules. These limits are designed to provide reasonable protection against harmful interference in a residential installation.

This equipment generates, uses and can radiate radio frequency energy and, if not installed and used in accordance with the instructions, may cause harmful interference to radio or television reception, which can be determined by turning the equipment off and on, the user is encouraged to try to correct the interference by one or more of the following measures:

- Reorient or relocate the receiving antenna.
  - Increase the separation between the equipment and the receiver.
  - Connect the equipment into an outlet on a circuit different from that to which the receiver is connected.
- Consult the dealer or an experienced radio/TV technician for help.

## LIMITED LIFETIME WARRANTY

**Extends to the original purchaser of a Fanimation fan from an authorized Fanimation dealer/retailer only**

1. LIMITED LIFETIME MOTOR WARRANTY - If any part of your fan motor fails, due to a defect in materials or workmanship during the lifetime of the original purchaser, Fanimation will provide the replacement part free of charge, when the defective fan is returned to our national service center. Proof of purchase is required. Customer shall be responsible for all costs incurred in the removal or reinstallation and shipping of the product for repairs or replacement.
2. ONE YEAR MOTOR LABOR WARRANTY - If your fan motor fails at any time within one year from the original purchase, due to defects in materials or workmanship, labor to repair the motor will be provided free of charge at our national service center. Purchaser will be responsible for labor charges after this one-year period. Customer shall be responsible for all costs incurred in the removal or reinstallation and shipping of the product for repairs or replacement.
3. If any other part of your fan fails at any time within one years after original purchase, due to a defect in materials or workmanship, we will repair, or replace, at our option, the defective part free of charge for parts and labor performed at our national service center.
4. Because of varying climate conditions, this warranty does not cover changes in the finish, including rusting, pitting, corroding, tarnishing, or peeling.
5. This warranty is void and does not apply to damage from improper installation, neglect, accident, misuse, exposure to extremes of heat or humidity, or as a result of any modification to the original product.
6. All costs of removal and reinstallation of the fan are the sole responsibility of the owner of the fan and not the store that sold the fan or Fanimation.
7. Fanimation reserves the right to modify or discontinue any product at any time and may substitute any part under this warranty.
8. Under no circumstances may a fan be returned without prior authorization from Fanimation. The receipt of purchase must accompany authorized returns and must be sent freight prepaid to Fanimation. The fan to be returned must be properly packed to avoid damage in transit; Fanimation will not be responsible for any damage resulting from improper packaging.
9. It is understood that any repair or replacement is the exclusive remedy available from Fanimation. There is no other expressed or implied warranty. Fanimation hereby disclaims any and all implied warranties, including, but not limited to those of merchantability and fitness for a particular purpose to the extent permitted by law. Some states do not allow limitations on implied warranties. Fanimation will not be liable for incidental, consequential, or special damages arising out of or in conjunction with product use or performance, except as may otherwise be accorded by law. This warranty gives you special legal rights and you may also have other rights that vary from state to state.
10. A certain amount of wobble is normal and should not be considered a problem or a defect.

## Table of Contents

Unpacking Instructions . . . . .	4	How to Set Up the fanSync WiFi APP . . . . .	19
Energy Efficient Use of Ceiling Fans . . . . .	5	Voice Command Tips . . . . .	23
Electrical and Structural Requirements . . . . .	5	fanSync WiFi FAQs & Troubleshooting Tips . .	24
How to Assemble Your Ceiling Fan Blades . . . . .	7	fanSync Wireless Router Guide . . . . .	26
How to Assemble Your Ceiling Fan. . . . .	8	How to Install Your Remote Control. . . . .	28
How to Hang Your Ceiling Fan. . . . .	10	Maintenance . . . . .	28
How to Wire Your Ceiling Fan. . . . .	11	How to Clean Your Ceiling Fan Blades . . . . .	28
How to Install Your Canopy Housing . . . . .	13	Troubleshooting . . . . .	29
How to Assemble Your Light Kit or Cap . . . . .	14	Parts List . . . . .	30
How to Operate Your Ceiling Fan . . . . .	16	Exploded-View Illustration . . . . .	31

This manual is designed to make it as easy as possible for you to assemble, install, operate and maintain your ceiling fan

## Tools Needed for Assembly (Not Included)

- One Phillips head screwdriver
- One 1/4" blade screwdriver
- One stepladder
- One wire stripper

## Materials

Wiring outlet box and box connectors must be of type required by local code. The minimum wire would be a 3-conductor (2-wire with ground) of the following size:

Installed Wire Length	Wire Size A.W.G.
Up to 50 ft.	14
50-100 ft.	12

**NOTE:** Place the parts from the loose parts bags in a small container to keep them from being lost. If any parts are missing, contact your local retailer.

### **⚠ WARNING**

Before assembling your ceiling fan, refer to section on proper method of wiring your fan (page 11). If you feel you do not have enough wiring knowledge or experience, have your fan installed by a licensed electrician.

## Unpacking Instructions

For your convenience, check-off each step. As each step is completed, place a check mark. This will ensure that all steps have been completed and will be helpful in finding your place should you be interrupted.

### **⚠ WARNING**

Do not install or use fan if any part is damaged or missing. This product is designed to use only those parts supplied with this product and/or any accessories designated specifically for use with this product by Fanimation. Substitution of parts or accessories not designated for use with this product by Fanimation could result in personal injury or property damage. Contact your retail store for missing or damaged parts.

1. Check to see that you have received the following parts:

**NOTE:** If you are uncertain of part description, refer to exploded view illustration.

**Hanger Bracket Assembly (1)**

**Ceiling Canopy (1)**

**Motor Assembly (1)**

**Switch Housing Assembly (1)**

**Receiver (1)**  
Wire Connectors (5 extra)

**Downrod/Hanger Ball Assembly (1)**  
– Downrod (1)  
– Hanger Ball (1)  
– Clevis Pin (1)  
– Hairpin Clip (1)  
– Set Screw (1)  
– Pin (1)

**Canopy Screw Cover Assembly (1)**

**LED Assembly (1)**

**Hand-held Remote (1)**  
Wall Plate (1)  
Screws (2)  
Batteries (2)

**Motor Coupling Cover Assembly (1)**

**Light Kit Wire Cover (1)**

**Steel Cap Assembly (1)**

**Blade Plate (1)**

**Extension Wire Lead Kit (1)**  
(for use with optional longer downrods—sold separately)

**Blade Set (1)**

**Hardware Bags**

3/16"-24 Truss Head Screw with Spring Washer/Flat Washer (13)

Wire Connectors (4)



# Energy Efficient Use of Ceiling Fans

Ceiling fan performance and energy savings rely heavily on the proper installation and use of the ceiling fan. Here are a few tips to ensure efficient product performance.

## Choosing the Appropriate Mounting Location

Ceiling fans should be installed, or mounted, in the middle of the room and at least 7 feet from floor to the blade and 18 inches from wall to the blade. If ceiling height allows, install the fan 8 - 9 feet from floor to the blade for optimal airflow. Consult your Fanimation Retailer for optional mounting accessories.

## Turn Off When Not in the Room

Ceiling fans cool people, not rooms. If the room is unoccupied, turn off the ceiling fan to save energy.

## Using the Ceiling Fan Year Round

**Summer Season:** Use the ceiling fan in the counterclockwise direction. The airflow produced by the ceiling fan creates a wind-chill effect, making you "feel" cooler. Select a fan speed that provides a comfortable breeze, lower speeds consume less energy.

**Winter Season:** Reverse the motor and operate the ceiling fan at low speed in the clockwise direction. This produces a gentle updraft, which forces warm air near the ceiling down into the occupied space. Remember to adjust your thermostat when using your ceiling fan-additional energy and dollar savings could be realized with this simple step!

# Electrical and Structural Requirements

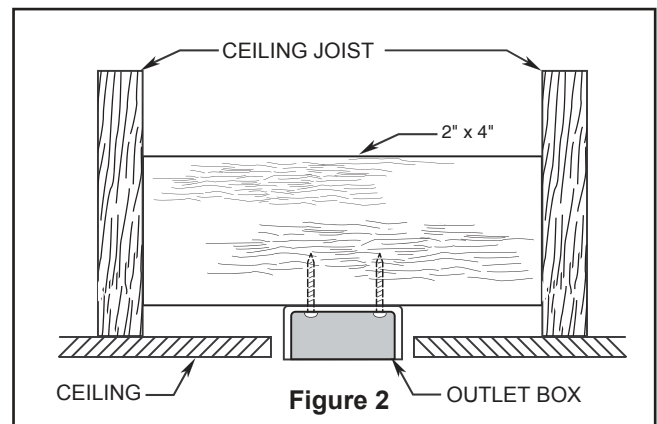
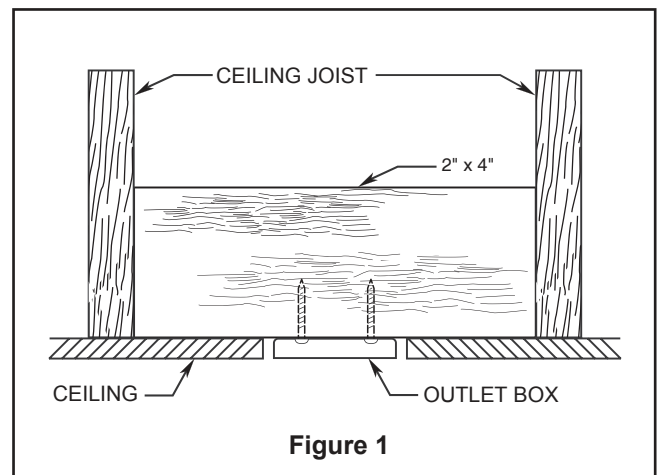
Your new ceiling fan will require a grounded electrical supply line of 120 volts AC, 60 HZ, 15 Amp Circuit. Electrical code requires use of a fan-rated outlet box to support the extra weight and motion associated with a ceiling fan. A fan-rated outlet box will be labeled as such and typically supports up to a 70lb ceiling fan. Fan-Rated Outlet Boxes vary in ratings and design. Ensure the ratings of your ceiling fan outlet box meet the requirements for the ceiling fan being installed. Figure 1, Figure 2 and Figure 3 depicts different structural configurations that may be used for mounting the outlet box.

## Low profile outlet box (Figure 1)

A 1/2-in.-deep pancake box is meant to be screwed to a joist or block. It's used if only one cable is coming into the box. It is also available in a saddle-mount configuration.

## Deep outlet box (Figure 2)

A 2-1/4-in.-deep box can be attached to blocking between joists and is roomy enough to handle more than one cable.



## Electrical and Structural Requirements (Continued)

### Deep outlet box with brace (Figure 3)

Paired with a deep box, this hanger is meant to span between two joists and takes the place of wooden blocking.

#### **WARNING**

To reduce the risk of fire, electric shock, or personal injury, mount to outlet box marked acceptable for fan support of 15.9 kg (35 lbs) or less and use mounting screws provided with the outlet box. Most outlet boxes commonly used for the support of luminaires are not acceptable for fan support and may need to be replaced, consult a qualified electrician if in doubt.

If your fan is to replace an existing light fixture, turn electricity off at the main fuse box at this time and remove the existing light fixture.

#### **WARNING**

Turning off wall switch is not sufficient. To avoid possible electrical shock, be sure electricity is turned off at the main fuse box before wiring. All wiring must be in accordance with National and Local codes and the ceiling fan must be properly grounded as a precaution against possible electrical shock.

#### **WARNING**

To avoid fire or shock, follow all wiring instructions carefully. Any electrical work not described in these instructions should be done or approved by a licensed electrician.

#### **WARNING**

Do not operate this fan with a variable (Rheostat) wall controller or dimmer switch. Doing so could result in damage to the ceiling fan's remote control unit.

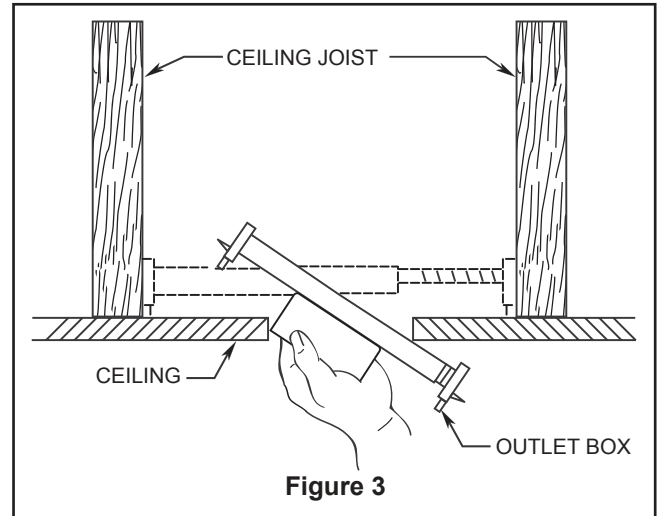


Figure 3

# How to Assemble Your Ceiling Fan Blades

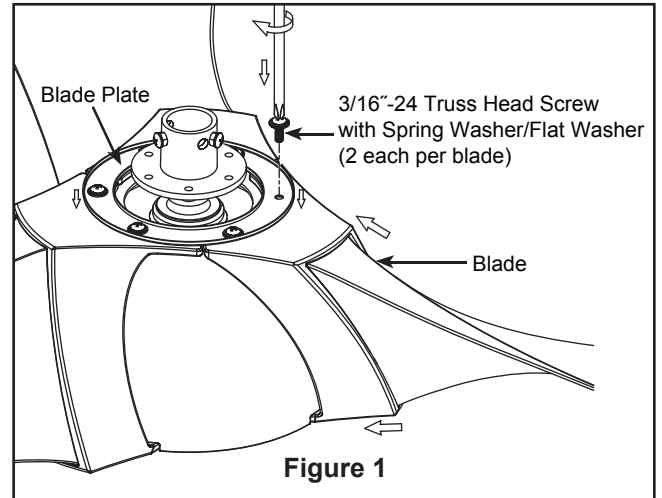
## CAUTION

Do not connect fan blades until the fan is completely installed. Installing the fan with blades assembled may result in damage to the fan blades.

## WARNING

To reduce the risk of personal injury, do not bend the blades when installing, balancing or cleaning the fan. Do not insert foreign objects in between the rotating blades.

1. Position blade along the motor, aligning blade holes with holes in the top of the motor assembly flywheel. Make sure the blade is fully seated against the flywheel and install 3/16"-24 truss head screw with spring washer/flat washer and blade plate. Don't fully tighten at this time. (Figure 1)

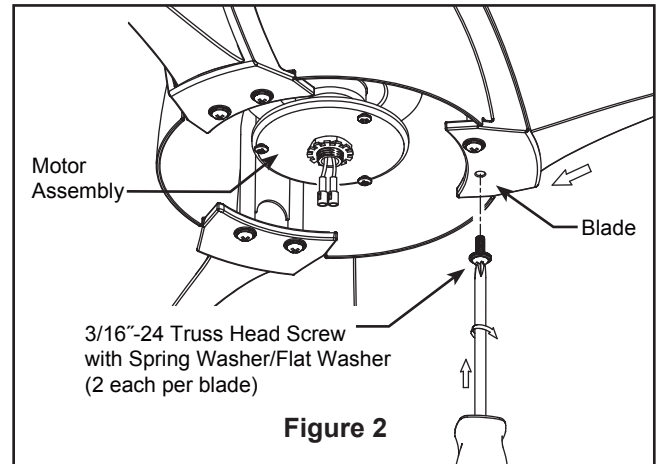


### HARDWARE USED:

3/16"-24  
Truss Head Screw  
with Spring Washer  
/Flat Washer



2. Install and securely tighten 3/16"-24 truss head screw with spring washer/flat washer at the underside of the blades, then securely tighten all previously installed screws on top of motor. (Figure 2)



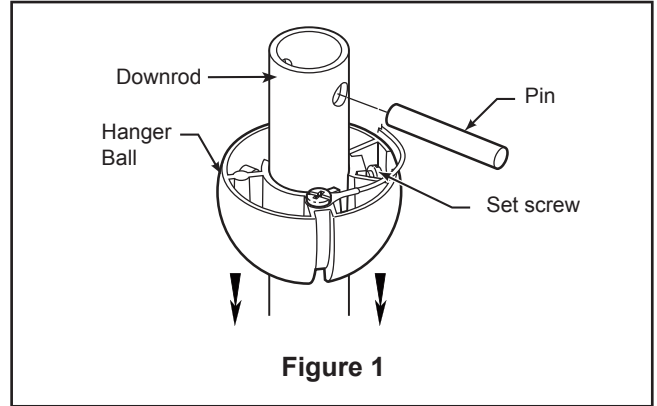
### HARDWARE USED:

3/16"-24  
Truss Head Screw  
with Spring Washer  
/Flat Washer

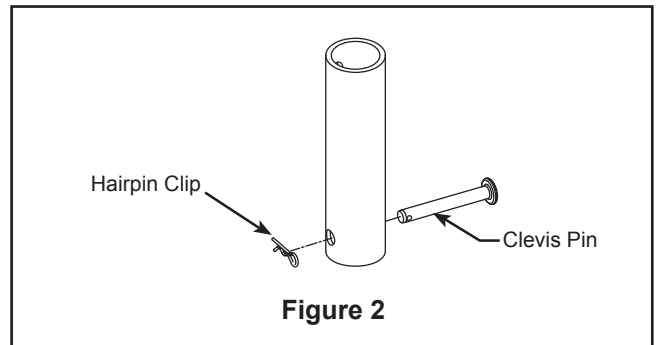


# How to Assemble Your Ceiling Fan

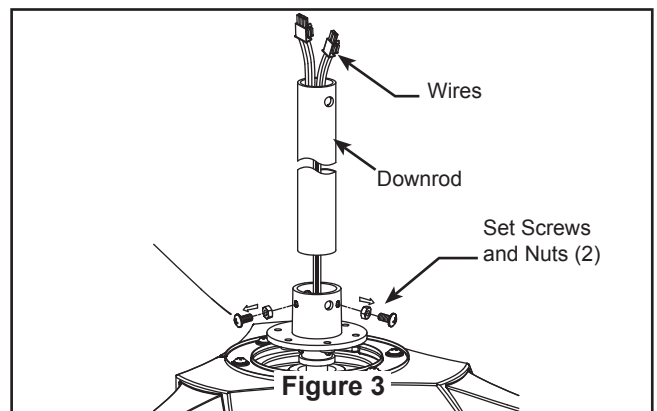
- 1. Remove the hanger ball portion from the downrod/hanger ball assembly by loosening the set screw in the hanger ball until the ball falls freely down the downrod. Remove the pin from the downrod, then remove the hanger ball. Retain the pin and hanger ball for reinstallation in Step 6. (Figure 1)



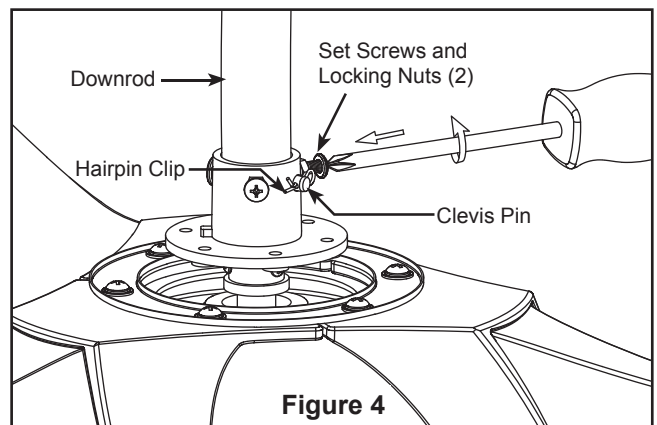
- 2. Remove the hairpin clip and clevis pin from the bottom of the downrod. Retain the pin and clip for reinstallation in Step 4. (Figure 2)



- 3. Loosen the two set screws and locking nuts in the downrod support of the motor assembly. Route the wires through the downrod. (Figure 3)



- 4. Slide downrod into the downrod support on top of the motor. Install the clevis pin by aligning the holes in the downrod support with holes in the downrod. Secure clevis pin with hairpin clip. Install and tighten the two set screws with nuts in the downrod support. Securely tighten the set screws with screwdriver then fully tighten the nuts by hex wrench. (Figure 4)

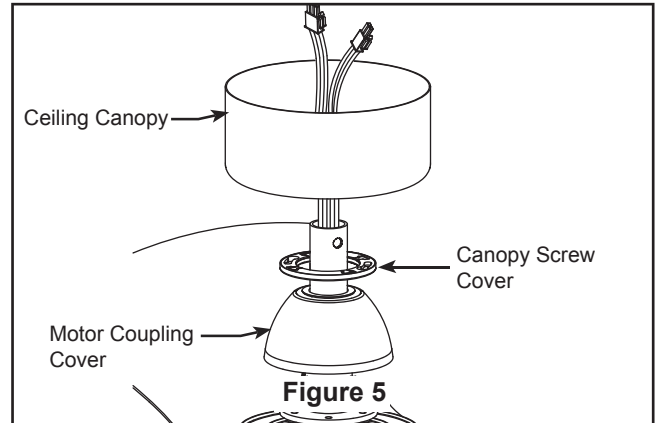


## **⚠ WARNING**

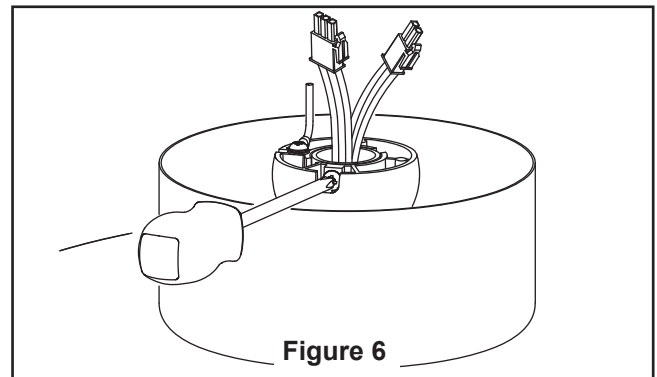
It is critical that the clevis pin in the downrod support is properly installed and the set screws and nuts are securely tightened. Failure to do so could result in the fan falling.

## How to Assemble Your Ceiling Fan (Continued)

5. Route wires through motor coupling cover, canopy screw cover and ceiling canopy. (Figure 5)



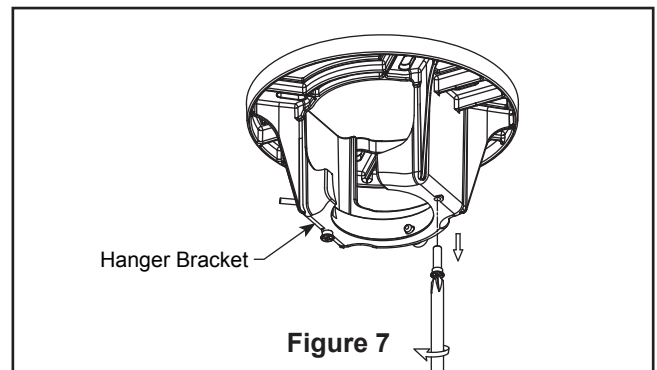
6. Reinstall the hanger ball on the downrod as follows. Route the wires through the hanger ball. Position the pin through the two holes in the downrod and align the hanger ball so the pin is captured in the groove in the top of the hanger ball. Pull the hanger ball up tight against the pin. Securely tighten the set screw in the hanger ball. **A loose set screw could create fan wobble.** (Figure 6)



### CAUTION

All set screws must be checked, and retightened where necessary before installation.

7. Remove one of the two shoulder screws in the hanger bracket and retain the screw for later. Loosen the second shoulder screw without fully removing it. (Figure 7)



# How to Hang Your Ceiling Fan

## **⚠ WARNING**

To avoid possible fire or shock, be sure electricity is turned off at the main fuse box before hanging. (Figure 1)

**NOTE:** If you are not sure if the outlet box is grounded, contact a licensed electrician for advice, as it must be grounded for safe operation.

## **⚠ WARNING**

The fan must be hung with at least 7' of clearance from floor to blades. (Figure 2)

## **CAUTION**

Do not connect fan blades until the fan is completely installed. Hanging fan with blades connected may result in damage to the fan blades.

## **⚠ WARNING**

The outlet box must be securely anchored and capable of withstanding a load of at least 35 lbs. Hanger bracket must seat firmly against outlet box. If the outlet box is recessed, remove wallboard until bracket contacts box. If bracket and/or outlet box are not securely attached, the fan could wobble or fall.

1. Securely attach the hanger bracket to the outlet box using the outlet box screws and washers supplied with the outlet box. (Figure 3)

**NOTE:** Outlet box screws pass through slotted holes of the hanger bracket. (Figure 3)

2. Pull the electric wires in the outlet box down through the opening in the hanger bracket and bend wires up and out of the way so that the hanger ball will easily fit into the hanger bracket.

3. Carefully lift the fan and seat the downrod/hanger ball assembly onto the hanger bracket that was just attached to the outlet box. (Figure 4) Be sure the groove in the ball is lined up with tab on the hanger bracket. (Figure 3)

## **⚠ WARNING**

Failure to seat tab in groove could cause damage to electrical wires and possible shock or fire hazard.

## **⚠ WARNING**

To avoid possible shock, do not pinch wires between the hanger ball assembly and the hanger bracket.

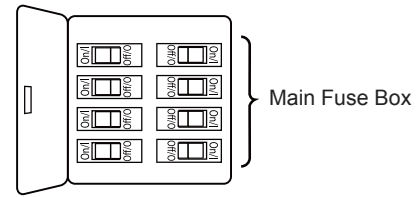


Figure 1

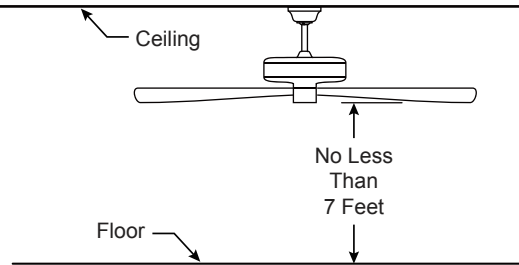


Figure 2

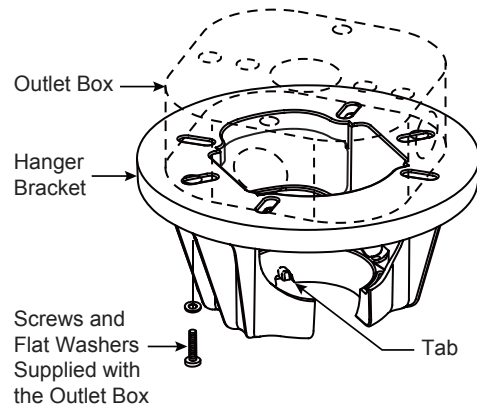


Figure 3

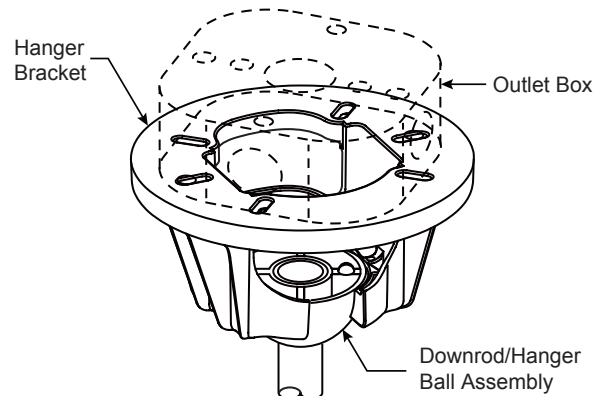


Figure 4



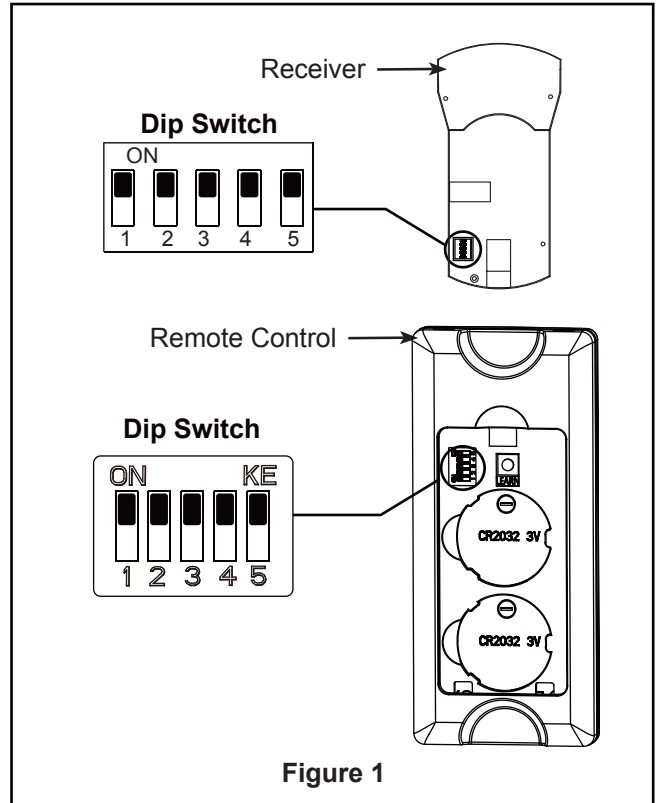
# How to Wire Your Ceiling Fan


**NOTE:** If fan or supply wires are different colors than indicated, have this unit installed by a qualified electrician.

1. To set the code on receiver unit, slide dip switches to the same positions as set on the remote control. (Figure 1)

**NOTE:** The remote unit has 32 different code combinations. To prevent possible interference from or to other remote units, simply change the combination code in the remote and receiver.

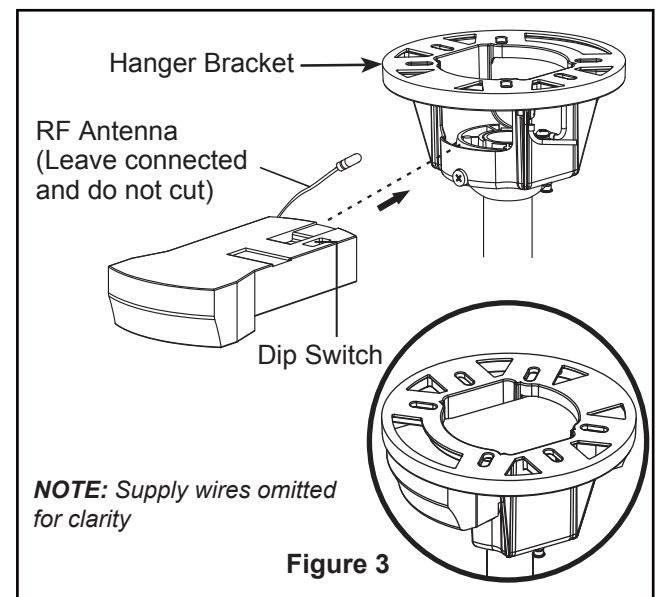
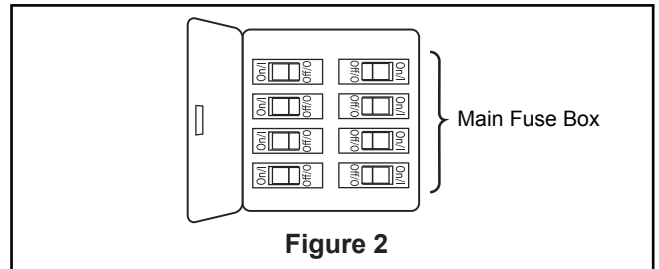
**NOTE:** Factory setting is all up. Do not use this position.



 <b>WARNING</b>
<p>To avoid possible electrical shock, be sure electricity is turned off at the main fuse box before wiring. (Figure 2)</p>

**NOTE:** If you are not sure if the outlet box is grounded, contact a licensed electrician for advice, as it must be grounded for safe operation.

2. Slide the receiver into the hanger bracket before wiring as shown in figure 3.



## How to Wire Your Ceiling Fan (Continued)

3. Connect wires using connectors as shown in Figure 4. Connect the 2 pin connectors from the motor assembly to the 2 pin connectors from receiver, connect the 3 pin connectors from the motor assembly to the 3 pin connectors from receiver.

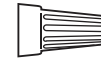
**CAUTION:** INCORRECT WIRE CONNECTION COULD DAMAGE THIS RECEIVER.

### ⚠ WARNING

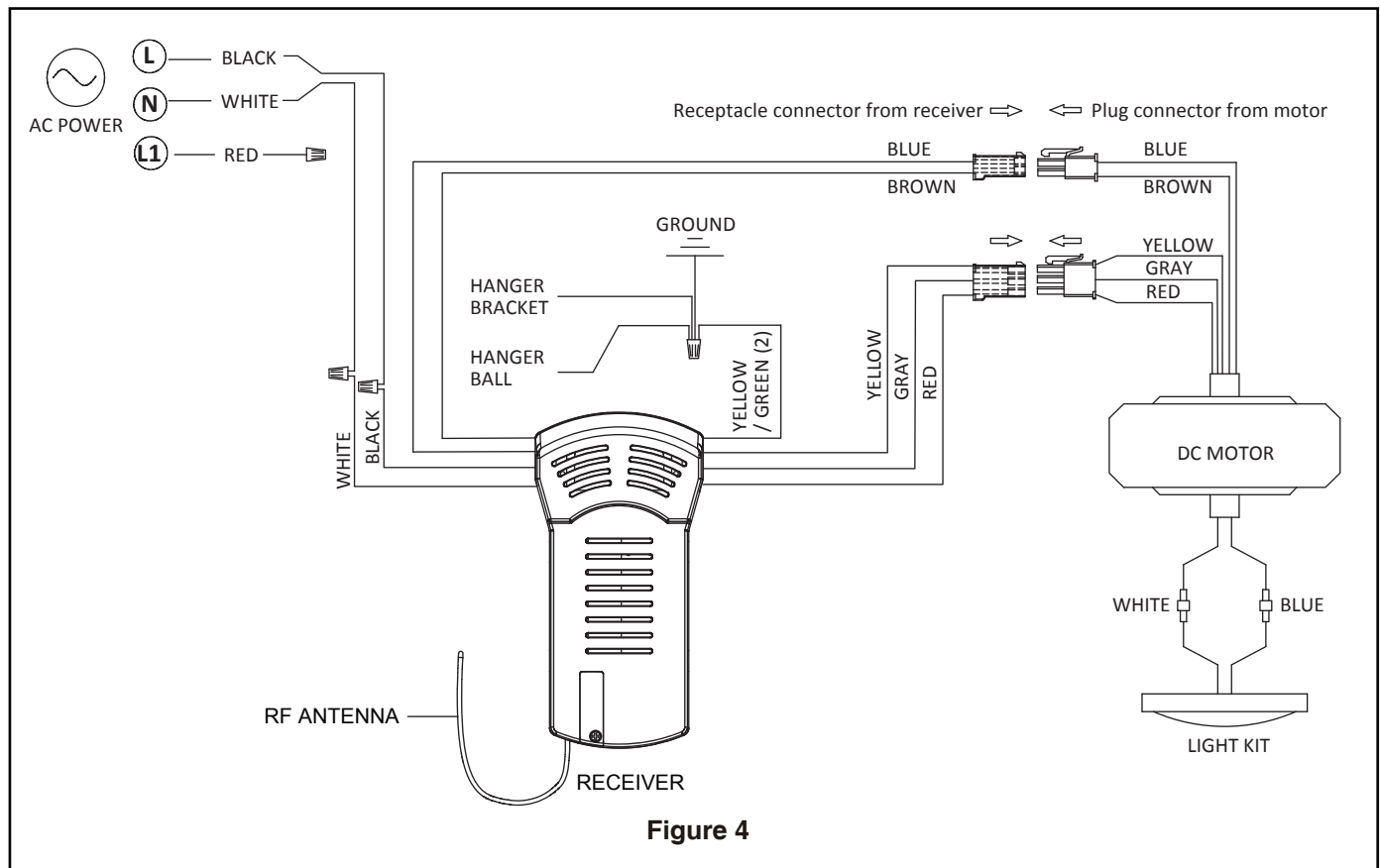
Check to see that all connections are tight, including ground, and that no bare wire is visible at the wire connectors. Do not operate fan until the blades are in place. Noise and motor damage could result.

#### RECEIVER HARDWARE USED:

Wire Connectors



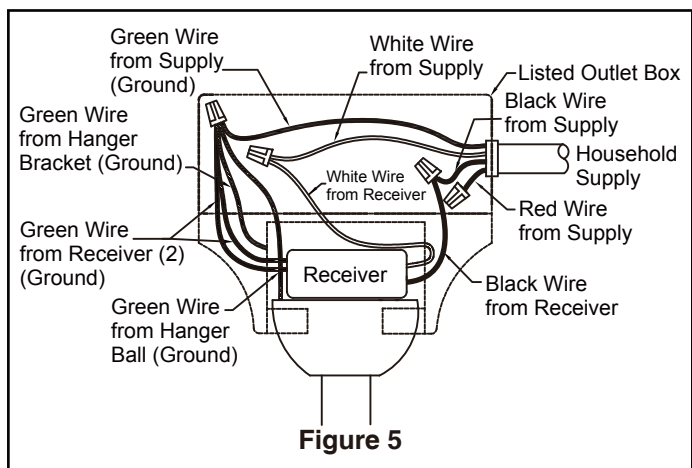
X 4



4. After connections have been made, put the white and green leads to one side and the black leads towards the other side, the connection should be turned upward and carefully push leads into the outlet box. The wires should be spread apart with the grounded conductor and the equipment-grounding conductor on one side of the outlet box and the ungrounded conductor on the other side. (Figure 5)

### ⚠ WARNING

The blades must be installed first before programming is performed.



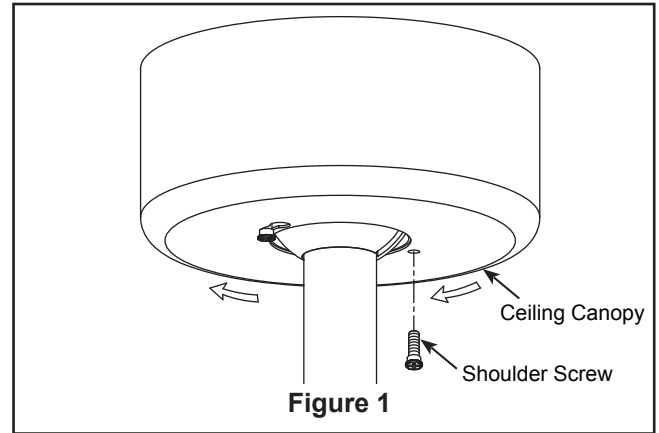
# How to Install Your Canopy Housing

**NOTE:** This step is applicable after the necessary wiring is completed.

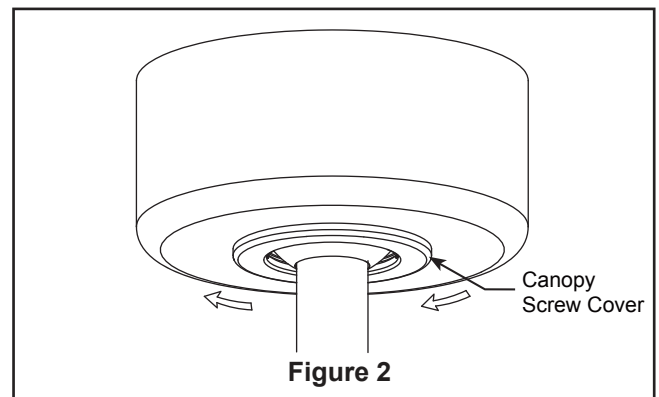
- 1. Assemble canopy by rotating key slot in canopy over shoulder screw in hanger bracket, taking care not to pinch the wires. Tighten shoulder screw. Fully assemble and tighten second shoulder screw that was previously removed. (Figure 1)

**⚠ WARNING**

To avoid possible fire or shock, make sure that the electrical wires are completely inside the canopy housing and not pinched between the housing and the ceiling.



- 2. Securely attach and tighten the canopy screw cover over the shoulder screws in the hanger bracket utilizing the key slot twist-lock feature. (Figure 2)

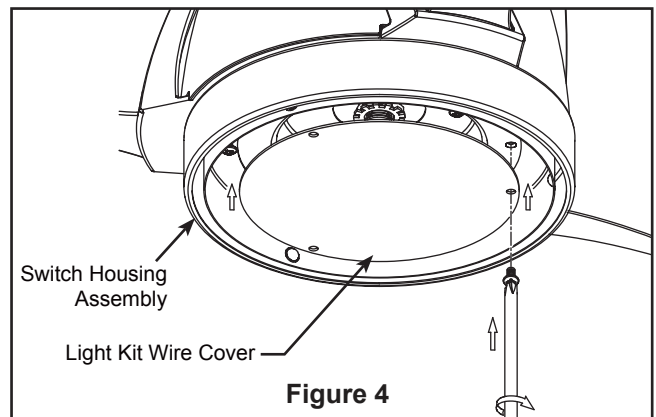
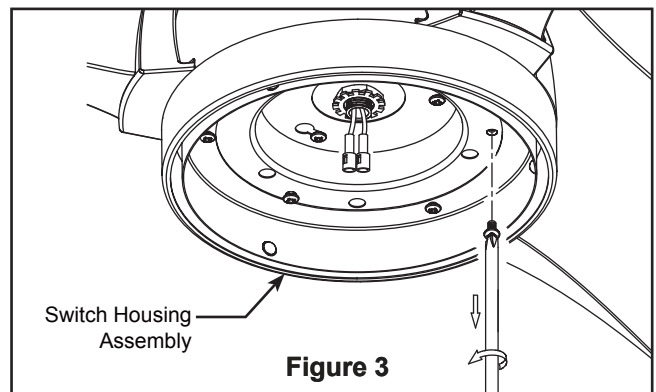
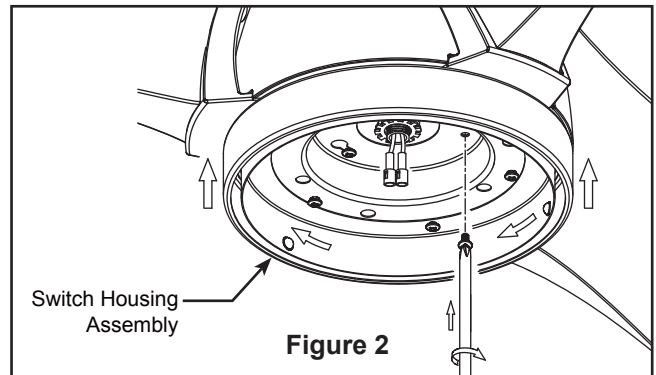
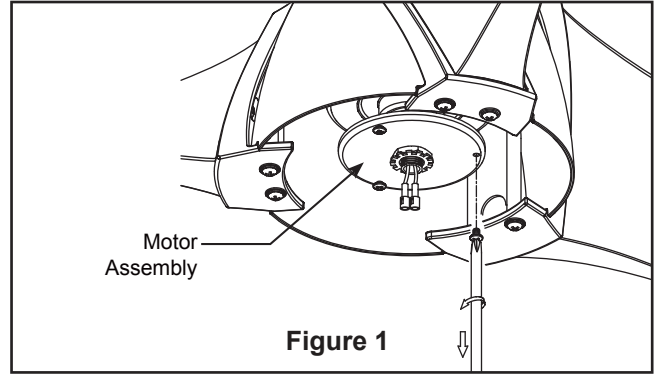


# How to Assemble Your Light Kit or Cap

## CAUTION

To Reduce The Risk Of Electric Shock, Disconnect The Electrical Supply Circuit To The Fan Before Installing Light Kit.

1. Remove one of the three screws in the support bracket at the bottom of the motor assembly and retain the screw for later. Slightly loosen the remaining two screws. (Figure 1)
2. Assemble the switch housing assembly to the support bracket using the two key slots in the switch housing assembly. Replace the previously removed screw and securely tighten all three screws. (Figure 2)
3. Remove the three screws in the switch housing assembly and retain the screws for later. (Figure 3)
4. **If installing the light kit, skip this step.** Assemble the light kit wire cover to the switch housing assembly using the removed screws in step 3 and secure all three screws. (Figure 4)

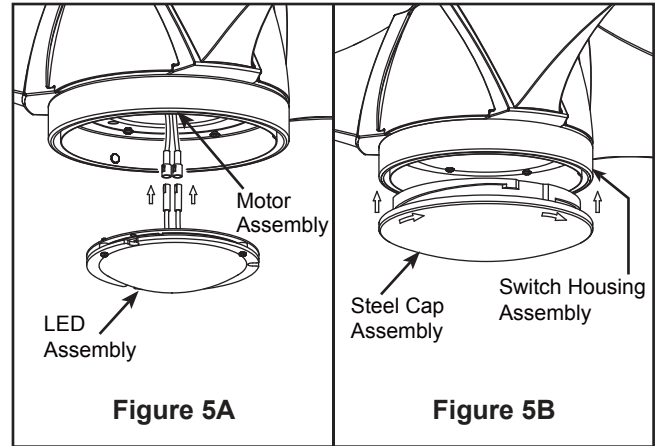


## How to Assemble Your Light Kit or Cap (Continued)

- 5A. For use with light kit.**  
Connect the 2 single pin connectors from the LED assembly to the 2 single pin connectors from motor assembly. (Figure 5A)

- 5B. For use with steel cap.**  
If you want to install the steel cap and not the light kit. Assemble the steel cap to the switch housing assembly by twisting in a clockwise direction. (Figure 5B)

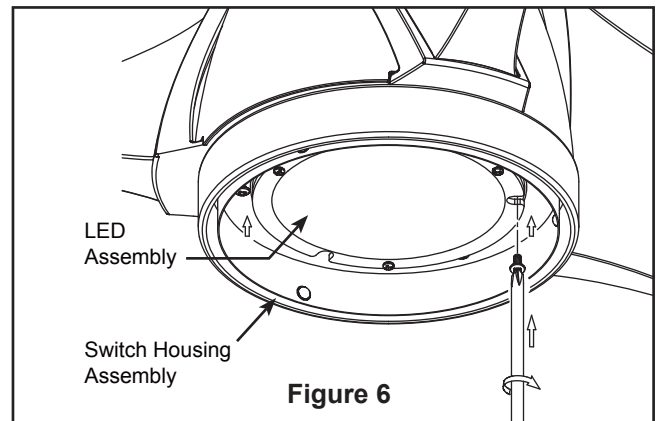
**NOTE:** If you have installed your fan with the steel cap, skip Steps 6 and 7.



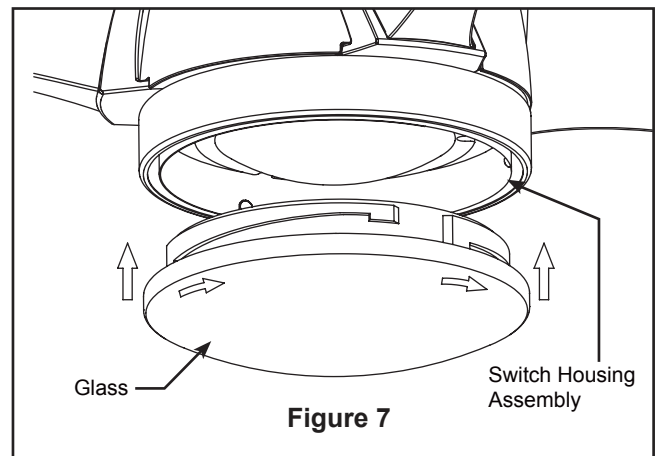
- 6.** Assemble the LED assembly to the switch housing assembly using the removed screws in step 3 and secure all three screws. (Figure 6)

### CAUTION

The light source is designed for this specific application and can overheat if serviced by untrained personnel. If any servicing is required, the product should be returned to an authorized service facility for examination or repair.

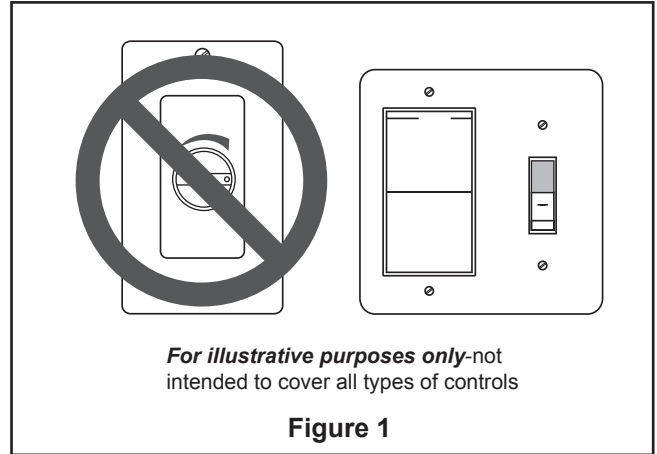


- 7.** Secure the glass to switch housing assembly by twisting in a clockwise direction. Twist the glass gradually **until it snaps onto the switch housing assembly**. Do not over-tighten. (Figure 7)



# How to Operate Your Ceiling Fan

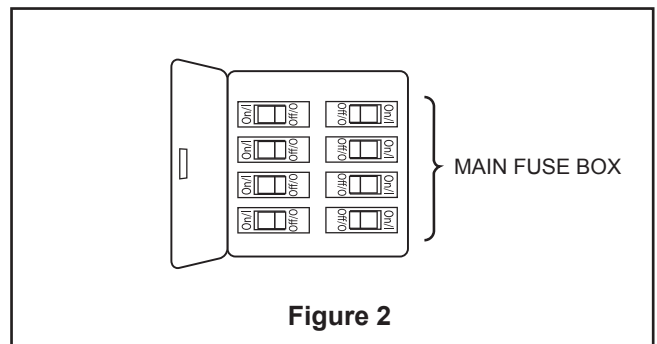
- 1. **IMPORTANT:** Using a full range dimmer switch (not included) to control fan speed will damage the fan. To reduce the risk of fire or electrical shock, do not use a full range dimmer switch to control the fan speed. (Figure 1)



- 2. Restore electrical power to the outlet box by turning the electricity on at the main fuse box. (Figure 2)

**⚠ WARNING**

**Check to see that all connections are tight, including ground, and that no bare wire is visible at the wire connectors, except for the ground wire. Do not operate fan until the blades are in place. Noise and fan damage could result.**



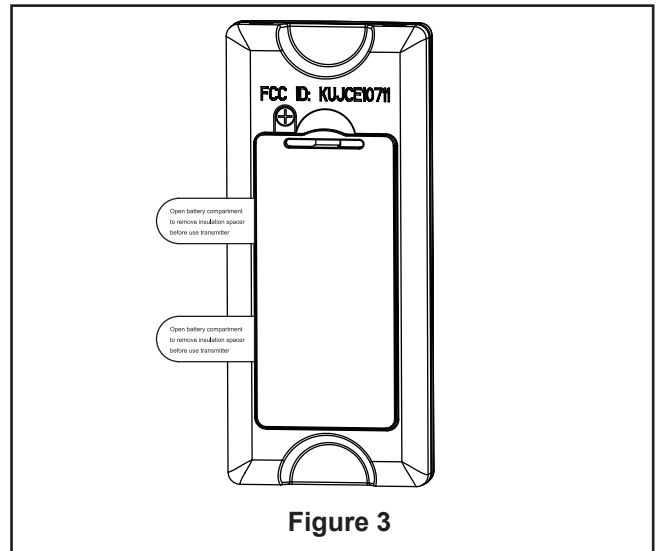
**⚠ WARNING**

**Do not operate this fan with a variable (Rheostat) wall controller or dimmer switch. Doing so could result in damage to the ceiling fan's remote control unit.**

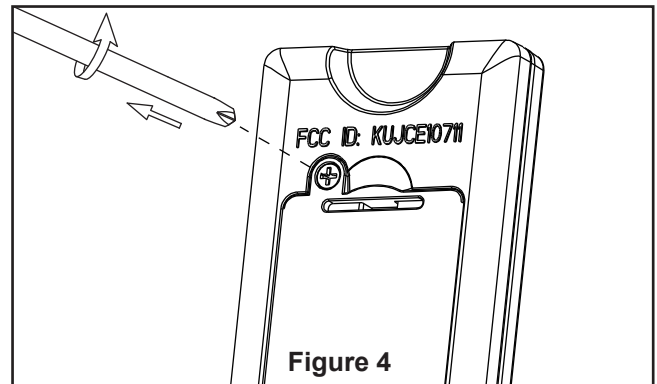
- 3. To make fan operational, remove battery insulator pull tab before use transmitter. Then, follow the remote code setting process. If not used for long periods of time, remove battery to prevent damage to transmitter. Store the remote away from excessive heat or humidity. (Figure 3)

**⚠ WARNING**

**Chemical Burn Hazard. Keep batteries away from children.**



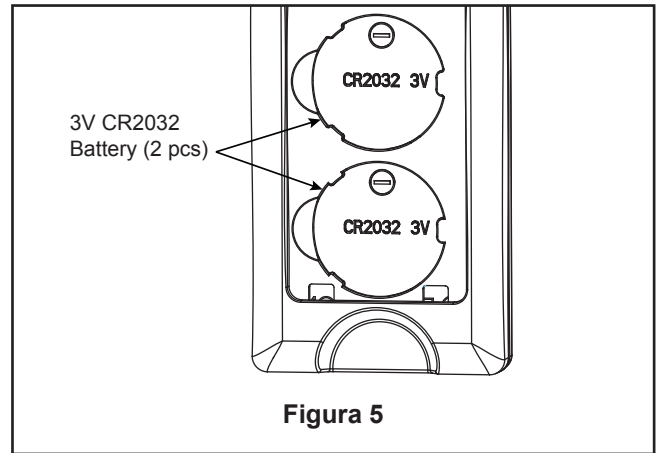
- 4. If you need to replace the batteries. Remove the battery cover from remote control by screwdriver and retain the screw for later. (Figure 4)



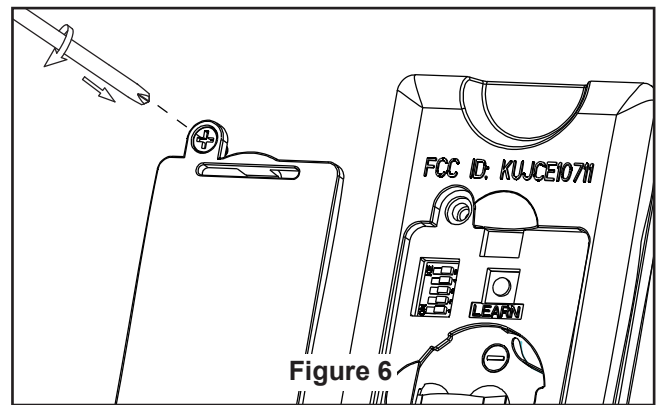


## How to Operate Your Ceiling Fan (Continued)

5. Install two 3V batteries in hand-held remote transmitter, with fan power off. (Figure 5)



6. Replace battery cover on the remote control and secure with the previously removed screw. (Figure 6)



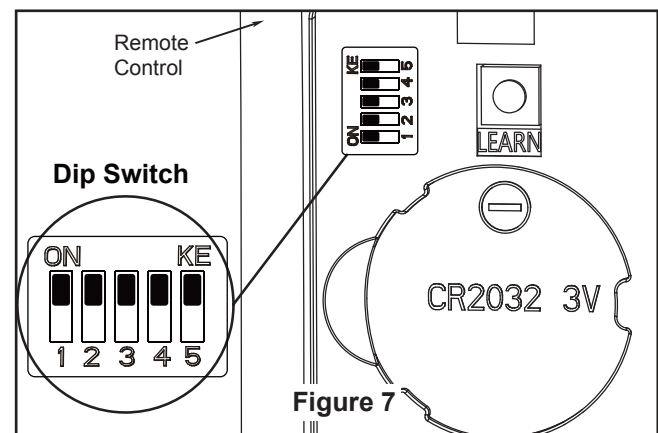
7. If you have multiple fans and want to program all fans to one handheld control. Slide the Dip Switches to the same position in ALL receivers as ONE handheld control, then follow Step 1 of the remote control speed set up process. Each fan needs to be no more than 30 feet from the handheld control that you would like to program. Please note the wall switch that controls the power to your fan(s) should be in the off position until you are ready to program your handheld remote(s).

8. If you have multiple fans and want to program each fan to separate handheld controls, slide the Dip Switches to the same position in both receiver and handheld control, then follow Step 1 of the remote control speed set up process below for each fan. Repeat these steps for each fan that you would like to program to a separate handheld remote. Please note that the wall switch that controls the power to your fan(s) should be in the off position until you are ready to program your handheld remote(s).

9. To set the remote code in the same positions as the receiver, use a small screwdriver or ball point pen (neither included) to slide dip switches firmly up or down. (Figure 7)

**NOTE:** Factory setting is all up. Do not use this position.












**NOTE:** The remote unit has 32 different code combinations. To prevent possible interference from or to other remote units, simply change the combination code in the remote and receiver.





## How to Operate Your Ceiling Fan (Continued)

### 10. Remote functions: (Figure 8)

LOW  HI

- Indicator LED light: fan speed and light dimmer indicator
-  button: Tap once to turn off the fan. Press and hold this button for 5 seconds to turn on or turn off the buzzer.
- Fan Speed:
  - △ Turn on fan and turn speed up.
  - ▽ Turn on fan and turn speed down.
-  Light button: Turn ON/OFF the light.
-  Press to turn on the light and hold to dim or brighten light to desired level, then release.
-  Press this button to switch color temperature when the light is on.
- Sleep Timer: Fan must be turned on when set up timer.
  -  The fan and light will turn off after 1 hour.
  -  The fan and light will turn off after 3 hours.
  -  The fan and light will turn off after 6 hours.
-  Home Away: Tap this button, the light will blink twice signaling this feature is on; the fan will turn off and the light will randomly turn on and off while you are away. Pressing any button will cancel the feature.
-  Fresh Air: Fan speed will modulate to simulate a natural breeze.
-  Safe Exit: Tap once, the light will blink once; fan and light will turn off after 1 minute. Pressing any button will cancel this feature.
-  Reverse button:

In order to reverse the direction of the fan, the fan must be running.

  -  Summer- The fan runs counterclockwise. Airflow will provide a downward cooling breeze.
  -  Winter- The fan runs clockwise. Airflow will force warm air downward without a noticeable breeze.

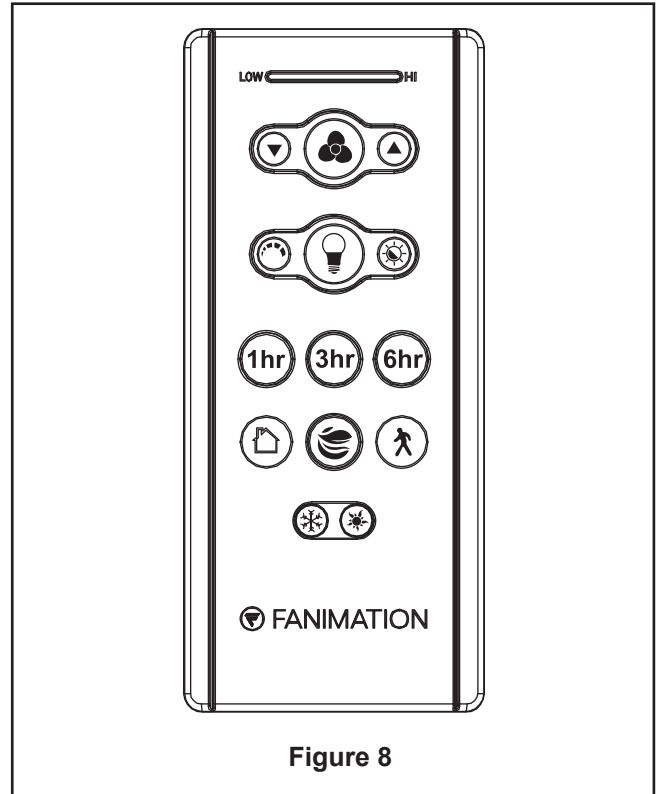


Figure 8

# How to Set Up the fanSync WiFi APP

1. Visit the Apple APP Store or the Google Play Store to download the free fanSync WiFi APP. (Figure 1)



Figure 1

2. Create your account using one of the three options listed. (Figure 2)

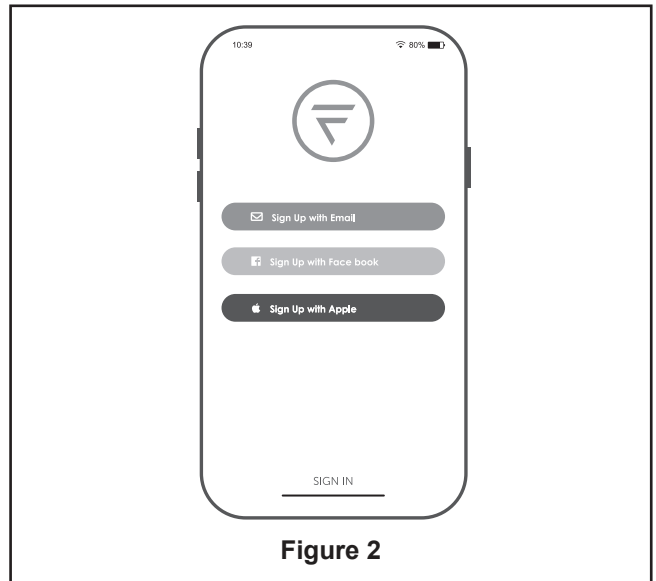


Figure 2

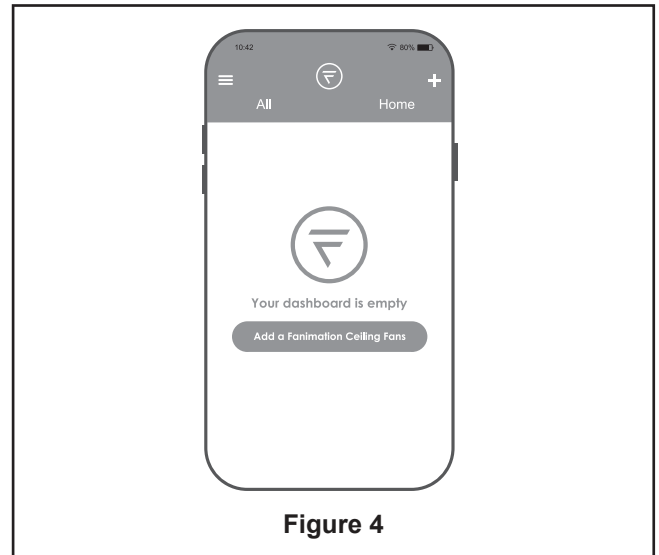
3. If you signed up using the email option, please check your email inbox to find the first time account set up email. Open the email and click the "Confirm" button. Please check your spam/junk folder if you cannot find the email. The email will come from "fansync@fanimation.com". (Figure 3)



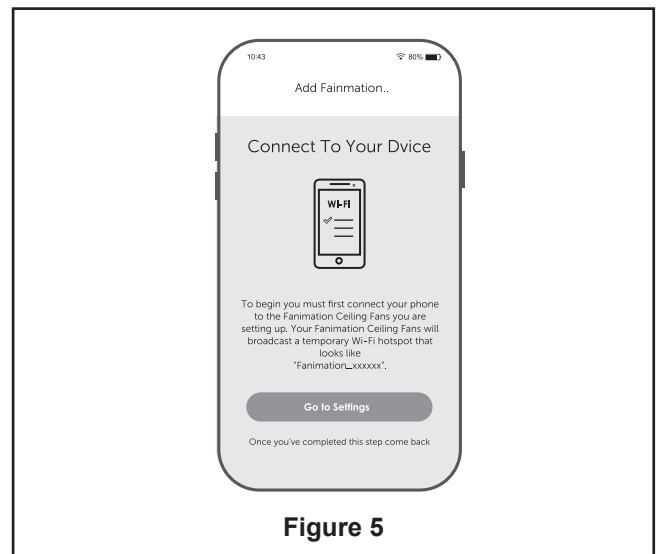
Figure 3

## How to Set Up the fanSync WiFi APP (Continued)

4. After you have created Fanimation fanSync account, you can add your fans in the app. (Figure 4)

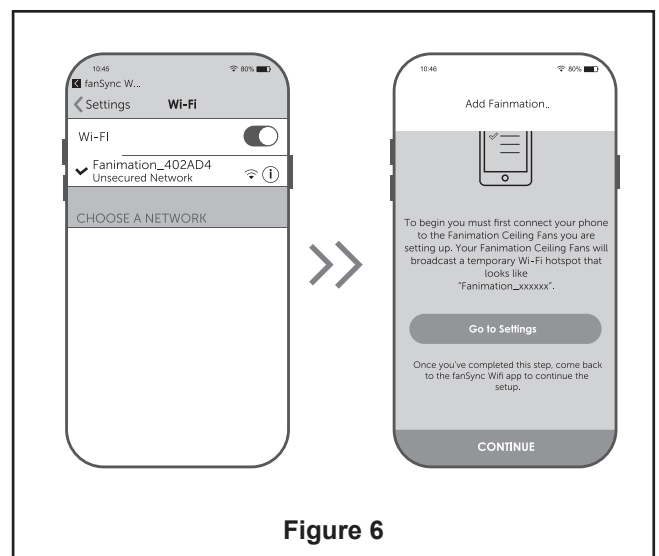


5. At this stage, your ceiling fan WiFi receiver should be installed and within range of your WiFi router. With the APP open, select "add device". (Figure 5)



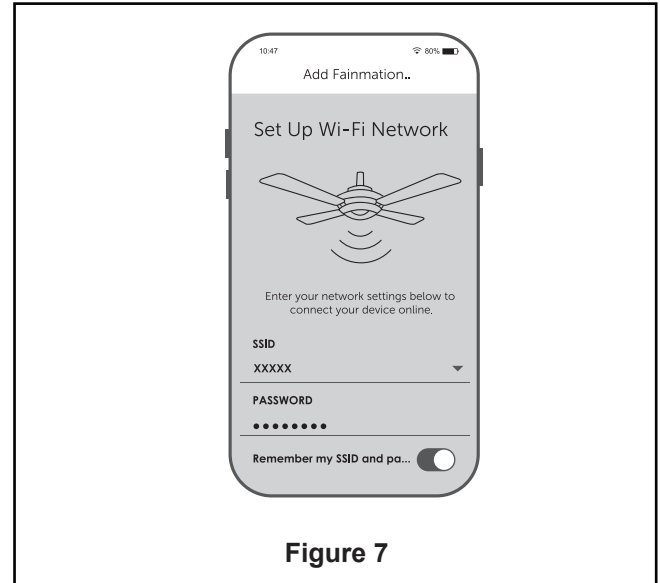
**NOTE:** The device default WiFi SSID :  
Fanimation\_XXXXXX (ex: Fanimation\_402AD4).

6. In the WiFi settings on your smart device, select the Fanimation\_XXXXXX device and return to the fanSync WiFi app and press "CONTINUE". (Figure 6)

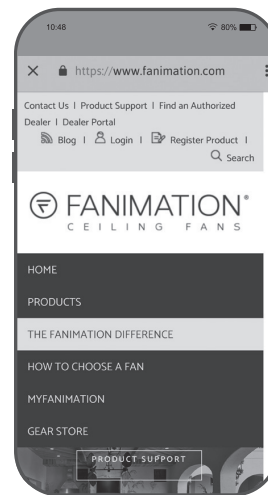
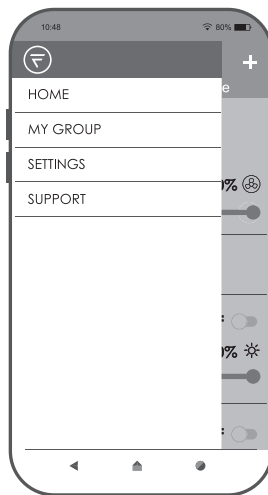
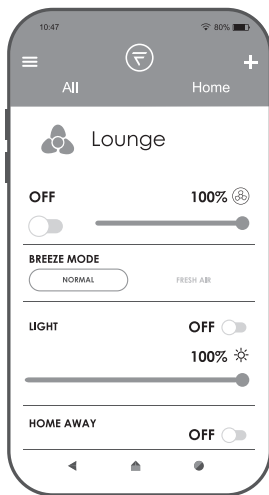


## How to Set Up the fanSync WiFi APP (Continued)

7. Select your WiFi router and enter the WiFi password to connect your fanSync WiFi receiver. It will take 1-2 minutes to connect. After your WiFi receiver is connected, you can now name your ceiling fan in the APP and customize your settings. (Figure 7)

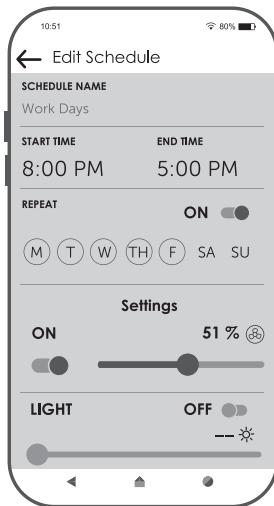


### • fanSync WiFi APP Overview



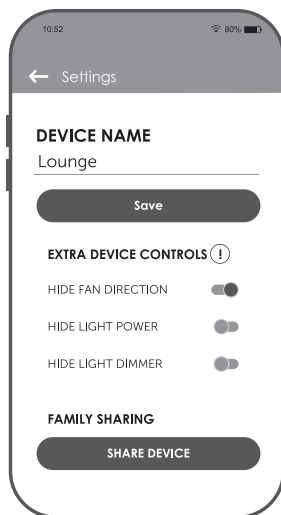
# How to Set Up the fanSync WiFi APP (Continued)

- Set up Real Time Schedules



- Share Device

After one smart device is connected to a fan, you can share the device with up to 10 users. Additional users must have the fanSync WiFi app installed and their account created.





---

# Voice Command Tips

This section lists some of the voice commands you can use. More Alexa/Google Home voice commands as below link.

## Amazon

<https://developer.amazon.com/en-US/docs/alexa/device-apis/smart-home-general-apis.html>

## Google

<https://support.google.com/googlenest/answer/9298768?hl=en>

### Alexa Voice Commands

If you request to	Ask Alexa
Turn on the fan only	Turn on [device name] fan power
Turn off the fan only	Turn off [device name] fan power
Turn on the light only	Turn on [device name] light power
Turn off the light only	Turn off [device name] light power
Change the brightness	Set [device name] brightness to 75% Set [device name] light to 25% Make [device name] dimmer Make [device name] brighter Dim [device name] Brighten [device name] Dim [group name] Brighten [group name]
Change the Color Temperature	Change [device name] to Cool White Change [device name] to Warm White Change [device name] to White
Change the fan speed	Set [device name] speed to fastest Set [device name] speed to fast Set [device name] speed to medium Set [device name] speed to slow Increase [device name] speed Decrease [device name] speed
Turn on Comfort Breeze	Turn on Comfort Breeze on [device name]

### Google Voice Commands

If you request to	Ask Google
Turn on the fan only	Turn on [device name] fan power
Turn off the fan only	Turn off [device name] fan power
Turn on the light only	Turn on [device name] light power
Turn off the light only	Turn off [device name] light power
Change the brightness	Set [device name] brightness to 75% Set [device name] light to 25% Brighten [device name] Dim [device name] Brighten [room name] Dim [room name]
Change the Color Temperature	Change [device name] to Daylight Change [device name] to Cool White Change [device name] to Warm White
Change the fan speed	Set [device name] speed to fastest Set [device name] speed to fast Set [device name] speed to medium Set [device name] speed to slow Increase [device name] speed Decrease [device name] speed
Turn on Comfort Breeze	Turn on Comfort Breeze on [device name]

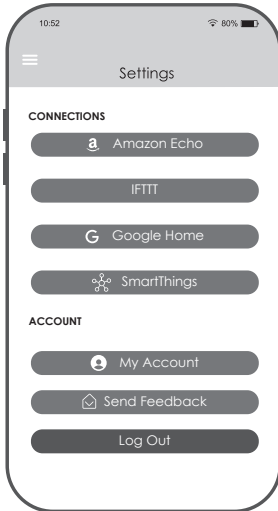
# fanSync WiFi FAQs & Troubleshooting Tips

## What is the range between the router and ceiling fan?

Depending on the strength of your WiFi signal and type of WiFi service fanSync WiFi controls have a range of up to 100 feet based on the version of the fanSync WiFi control you have. The original version has an external antenna that can be mounted outside of the ceiling fan canopy which will maximize the range up to 100 feet. The newest version has the antenna built inside of the control's case giving you a range of 50 feet.

## How do I link my fanSync WiFi control with Amazon Echo, Google Home, SmartThings and IFTTT?

Open the fanSync WiFi app, in the upper left hand corner, click "Settings", under "Connections", choose the platform that you would like to connect your ceiling fan to.



### Amazon Alexa Help:

<https://www.amazon.com/gp/help/customer/display.html?nodeId=G3RKPNRKF33ECTW7>



### Google Help:

<https://support.google.com/googlenest/answer/7073578?hl=en>



### SmartThings Help:

[https://play.google.com/store/apps/details?id=com.samsung.android.oneconnect&pcampaignid=web\\_share](https://play.google.com/store/apps/details?id=com.samsung.android.oneconnect&pcampaignid=web_share)

*In order to connect with NEST, ECOBEE, wink, etc. you must connect via IFTTT.*



### IFTTT Help:

<https://help.ifttt.com/hc/en-us/articles/115010325748-What-is-IFTTT->

## What if I sell my home ?

Simply go in to the fanSync WiFi app, select the ceiling fan that you will no longer be using, go to "settings", click on "Delete Device". You do not need to be with the fan to delete the device—as long as you have a WiFi or cellular signal, you can delete from anywhere. The new owner can now add the device in the fanSync WiFi app following the initial set up instructions.

*\* Please note that by deleting a device, this will also delete it from all other users the device was shared with as well any previous settings and connections to voice assistants.*

## How do I reset my fanSync WiFi control?

In the fanSync WiFi app, select the ceiling fan/device that you would like to reset, go to "settings", click on "Delete Device".

- DC motor fans with a light - the light will flash twice and you will hear two beeps confirming the device that has been deleted. If you do not have a light on your ceiling fan and you previously disabled the beep function on your handheld remote, you can verify in the fanSync WiFi app that the device has been deleted from your home page.
- AC motor fans with a light – the light will flash twice confirming the device has been deleted. If you do not have a light on your ceiling fan, you can verify in the fanSync WiFi app that the device has been deleted from your home page.

You will now need to add the device again following the initial set up instructions. \* Please note that by deleting a device in the app, this will also delete it from all other users the device was previously shared with as well as any previous settings and connections to voice assistants.

## How many ceiling fans can be on the fanSync WiFi app?

There is no limit to the number of ceiling fans that can be visible in the fanSync WiFi app. You do not have to be on the same WiFi signal, they can be controlled from anywhere as long as your smart device is connected to WiFi or has a cellular signal. The wall switch to each fan must be in the on position and if there is a separate switch for the ceiling fan light kit, that must be in the on position as well. Each ceiling fan you wish to control must have a fanSync WiFi receiver installed.

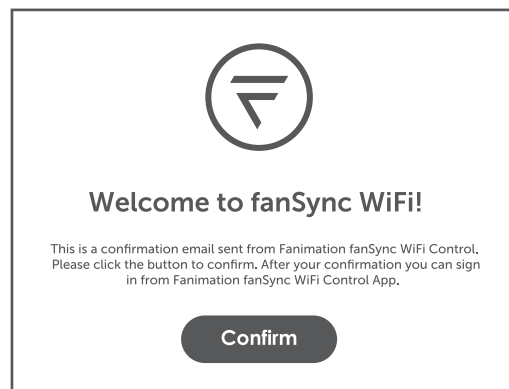
## fanSync WiFi FAQs & Troubleshooting Tips (Continued)

### How many users can I share control of a ceiling fan with?

If you would like others to be able to control a fan, they must have the fanSync WiFi app downloaded. You can share each individual device with up to 10 users. In the app, select the fan you would like to share, select settings, share device.

### Quick Troubleshooting Steps:

1. Verify that the WiFi Router that your ceiling fan is connected to is functioning/not weak.
2. Initial set up can sometimes timeout or fail due to the WiFi signal being weak. If this is the case, please contact your service provider and then try to pair your control again.
3. The wall switch that controls the power to the ceiling fan MUST ALWAYS be in the ON position. If you have a separate wall switch for your ceiling fan light, this MUST ALWAYS be in the ON position as well.
4. The wall switch used to control the power to your ceiling fan and ceiling fan light must be a true on/off rocker or toggle switch. It cannot have a dimming function of any kind.
5. Make sure that your smart device is connected to WiFi or has a cellular signal.
6. Make sure your smart device's operating software is the most current version.
7. Check for any updates available in the app, if they are available, please update your app.
8. If you chose to set up your fanSync WiFi account using the "email" option, please find the email confirmation you received and hit the "confirm" button within that email. \*Please check your spam/junk folder if you cannot locate this email in your inbox.\*
9. If your Router config has changed after your paired causes fanSync WiFi device unable to connect to the original Router. Please reboot the fanSync WiFi device and wait for 3 minutes then you will find the default WiFi SSID Fanimation\_XXXXXXX to re-add the fanSync WiFi device with the same steps as the first time you paired the device.



### Need further assistance?

Call Fanimation Customer Care at 1-888-567-2055 or email [techsupport@fanimation.com](mailto:techsupport@fanimation.com)

### Please have the following information ready for your call or included in your email:

- WiFi service provider name
- Router Make and Model number
- Router configuration access web address or IP address
- Your current WiFi network name
- Date Code from your fanSync WiFi control
- Model #/Name of ceiling fan that you are using fanSync WiFi on
- Please go to the fanSync WiFi app, in the upper left-hand corner, click "Settings", select "Send Feedback". This will send a usage and issue log to our app developer for your devices. This can be used to identify your specific issues.

---

# fanSync Wireless Router Guide

**Fanimation fanSync WiFi Controls must pair to a 2.4GHz WiFi network.** Most smart home devices like smart bulbs, video door bells, etc. use 2.4GHz, this is because the signal distance is much stronger than 5G. Once paired, you can control your ceiling fan on any WiFi network or via your cellular signal on your smart phone. For most users, pairing will be quick and simple but, depending on the type of wireless router you have, you may need a little more information to get started.

## How do I find my WiFi network?

To identify your connected WiFi network(s), open the “Settings” application on your smartphone and look under “WiFi.”

## What type of router do I have & how do I pair it to my fanSync WiFi receiver?

If you are unsure of what type of router you have, you can enter the make and model number into an internet search engine for more information. Here are the most common router types:

### Single-band Routers *Most common setup*

Many routers support only a single 2.4GHz band with a single WiFi name displayed on the WiFi screen of your smartphone. **If this is your setup, you should be able to pair on this WiFi network and the fanSync Control will automatically join your network.**

### Dual-band/Tri-band/Mesh Routers

Many newer routers support both 2.4GHz and 5GHz bands. You can easily use Fanimation fanSync WiFi Controls on these new routers by connecting to the 2.4GHz band. There are two main types of dual-band routers—selectable dual-band and simultaneous, as well as Mesh routers.

## Here is how to identify which setup you have:

### Selectable Dual-band Routers

These routers let you switch between the 2.4GHz and 5GHz bands. This is likely your setup if there are two different WiFi names displayed on your smartphone’s WiFi search screen (likely one ending in -2.4G and one ending in -5G). **If this is your setup, you must connect to the WiFi network that ends in -2.4G to be able to pair.**

### Simultaneous Dual-band Routers

These routers allow use of both bands at the same time, all under a single WiFi name displayed on the WiFi search screen of your smartphone. **If this is your setup, you should be able to pair on a 2.4GHz WiFi network. Reference your router’s user manual to find out how to set up on a 2.4G network.**

### Mesh WiFi Routers

These new routers such as Eero, Nest WiFi and Orbi operate with a simultaneous dual-band, with a single WiFi name displayed on the WiFi search screen of your smart phone. **If you have Eero for example: You can temporarily disable the 5GHz band by tapping on Eero App->Settings >Troubleshooting > ‘My device won’t connect’, then tap on “Temporarily pause 5GHz” button. This will disable 5GHz for 10 minutes, which can help pair 2.4GHz only devices.**

***Fanimation fanSync WiFi Controls must pair to a 2.4GHz WiFi network.***

---

## fanSync Wireless Router Guide (Continued)

### What if I see only one WiFi network name but I still can't pair?

You likely have a multi-band router that supports both 2.4GHz and 5GHz bands, but the band that is setup is not 2.4GHz. You likely need to configure the two selectable bands on your router so they you can select and use the 2.4GHZ band.

### To configure your network you will need:

- The web configuration address for your router (usually found on the label attached to the back of the router.) This may appear as an IP Address, a series of numbers separated by periods. (Example: <http://123.123.1.123>)

### You may also need:

- A photo of all the information on the back of your router (make/model, serial number, device access code, etc.) Your router manufacturer's website may require this information to guide you to the correct set up instructions and complete the set-up.
- Your current WiFi password

### Step 1

Enter the web configuration address found on the back of your router into a web browser on a device that is connected to that WiFi network (can be a phone, tablet or computer) to get to the wireless page of the router's website. Follow the manufacturer's instructions on how to configure a 2.4GHz band.

### Step 2

Select the 2.4GHz setting page and set the WiFi Name (SSID) to XXX-2.4G, where XXX indicates the WiFi name you'd like. Save settings.

### Step 3

Navigate to the 5GHz setting page and set the WiFi Name (SSID) to XXX-5G, where XXX indicates the WiFi name you'd like. Save settings.

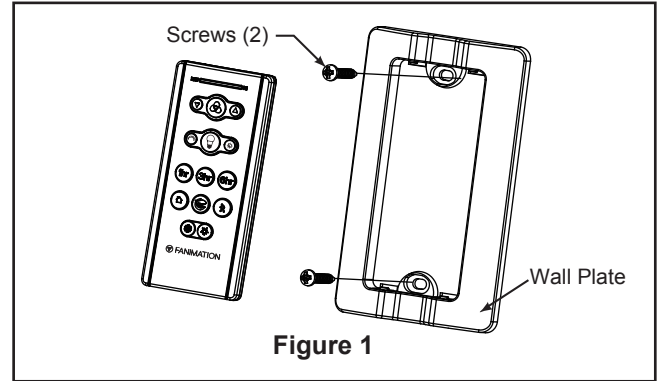
By adding the -2.4/5G suffixes to your WiFi names you will be able to easily tell the two bands apart. When the settings are complete, the two new WiFi network names will appear in the WiFi settings screen of your smartphone and you can pair by joining the network that ends in "-2.4G".

**NOTE:** After the WiFi names are changed, you need to reconnect all of the devices that use this wireless router. The password(s) remains the same if it has not been changed.

---

## How to Install Your Remote Control

1. Installing Wall Plate: (Figure 1)  
Attach wall plate using the two provided screws.



---

## Maintenance

Periodic cleaning of your new ceiling fan is the only maintenance necessary.  
When cleaning, use only a soft brush or lint free cloth to avoid scratching the finish.  
Abrasive cleaning agents are not required and should be avoided to prevent damage to finish.

### CAUTION

Do not use solvents when cleaning your ceiling fan. It could damage the motor or the blades and create the possibility of electrical shock.

---

## How to Clean Your Ceiling Fan Blades

Periodic light dusting of the blades is recommended.  
A feather duster will work best.

Avoid using water, cleansers, or harsh rags, which can warp and ruin the blades.



# Troubleshooting

**⚠ WARNING**

For your own safety turn off power at fuse box or circuit breaker before trouble shooting your fan.

Trouble	Probable Cause	Suggested Remedy
<b>1. FAN WILL NOT START</b>	<ol style="list-style-type: none"> <li>1. Fuse or circuit breaker blown.</li> <li>2. Loose power line connections to the fan, or loose switch wire connections in the switch housing.</li> <li>3. Dead battery in remote control.</li> </ol>	<ol style="list-style-type: none"> <li>1. Check main and branch circuit fuses or circuit breakers.</li> <li>2. Check line wire connections to fan and switch wire connections in the switch housings.</li> </ol> <p><b>CAUTION: Make sure main power is turned off !</b></p> <ol style="list-style-type: none"> <li>3. Replace with new battery.</li> </ol>
<b>2. FAN SOUNDS NOISY</b>	<ol style="list-style-type: none"> <li>1. Blades not attached to fan.</li> <li>2. Loose screws in motor housing.</li> <li>3. Wire connectors inside housing rattling.</li> <li>4. Motor noise caused by solid state variable speed control.</li> </ol>	<ol style="list-style-type: none"> <li>1. Attach blades to fan before operating.</li> <li>2. Check to make sure all screws in motor housing are snug (do not overtighten).</li> <li>3. Check to make sure wire connectors in switch housing are not rattling against each other or against the interior wall of the switch housing.</li> </ol> <p><b>CAUTION: Make sure main power is turned off !</b></p> <ol style="list-style-type: none"> <li>4. Some fan motors are sensitive to signals from solid-state variable speed controls. Solid-state controls are not recommended, choose an alternative control method.</li> </ol>
<b>3. FAN WOBBLER EXCESSIVELY</b>	<ol style="list-style-type: none"> <li>1. Setscrew in downrod support is loose.</li> <li>2. Setscrew in downrod/hanger ball assembly is loose.</li> <li>3. The groove hanger ball not lined up with the tab.</li> <li>4. Hanger bracket and/or ceiling outlet box is not securely fastened.</li> </ol>	<ol style="list-style-type: none"> <li>1. Tighten both setscrews securely in downrod support.</li> <li>2. Tighten the setscrew in the downrod/hanger ball assembly.</li> <li>3. Re-hanging the hanger ball secure the tab into the groove.</li> <li>4. Tighten the hanger bracket screws to the outlet box, and secure outlet box.</li> </ol>
<b>4. REMOTE CONTROL DOES NOT WORK. THE CONTROL INDICATOR LED IS CONSTANTLY FLASHING.</b>	<ol style="list-style-type: none"> <li>1. The battery/batteries are going to run out.</li> </ol>	<ol style="list-style-type: none"> <li>1. Please replace the battery/batteries.</li> </ol>
<b>5. NOT ENOUGH AIR MOVEMENT</b>		<ol style="list-style-type: none"> <li>1. If possible, consider using a longer downrod (not included, you can buy the longer downrod from <a href="http://fananimation.com">fananimation.com</a>).</li> </ol>

# Parts List

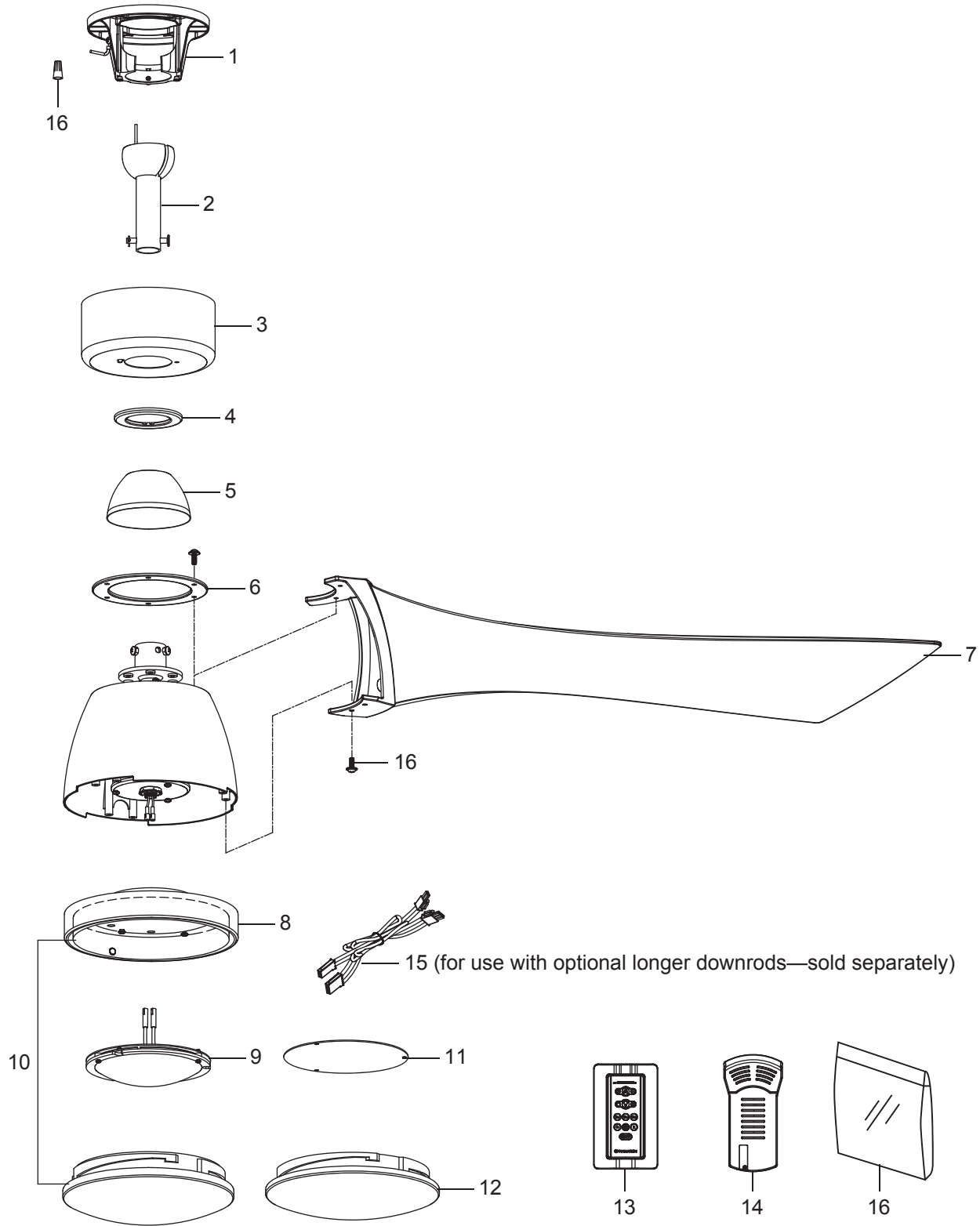
Model FPD6858\*\*

Reference #	Description	Part #
1	Hanger Bracket Assembly with Screws	AP255BL
2	Downrod/Hanger Ball Assembly	ADR1-45**
3	Ceiling Canopy	PG154**
4	Canopy Screw Cover Assembly	AP260**
5	Motor Coupling Cover Assembly	AP835902**
6	Blade Plate	P685801**
7	Blade Set	AP685803**
8	Switch Housing Assembly	AP685805**
9	LED Assembly	AP685810
10	Light Kit/Glass Assembly	AP685807
11	Light Kit Wire Cover	P685809
12	Steel Cap Assembly	AP685808**
13	Hand-held Remote	TR305
14	Receiver	WFRCCD685800
15	Extension Wire Lead Kit	EWL60-23AMP
16	Hardware Bag Containing:	HDWFPD6858**
	Wire Connectors (4)	
	Blade Mounting Hardware Bag Containing:	
	3/16"-24 Truss Head Screw with Spring Washer /Flat Washer (13)	

\*\* Insert FINISH CODES (Refer to fan model number located on downrod support)  
**Before discarding packaging material, be certain all parts have been removed.**

<b>HOW TO ORDER REPAIR PARTS</b>
<p>When ordering repair parts, always give the following information:</p> <ul style="list-style-type: none"> <li>Fan Model Number</li> <li>Part Number</li> <li>Part Description</li> <li>Date Code</li> </ul> <p>Contact <a href="mailto:techsupport@fanimation.com">techsupport@fanimation.com</a> or call 1.888.567.2055 for repair parts.</p>

**Klear™**  
**Model FPD6858\*\***  
**Exploded-View Illustration**



**NOTE:** The illustration shown is not to scale or its actual configuration may vary.  
 Product/parts are subject to change without notice.



10983 Bennett Parkway  
Zionsville, IN 46077  
Phone: 888-567-2055  
Outside U.S.: 317-733-4113  
FAX: 866-482-5215  
FANIMATION.COM

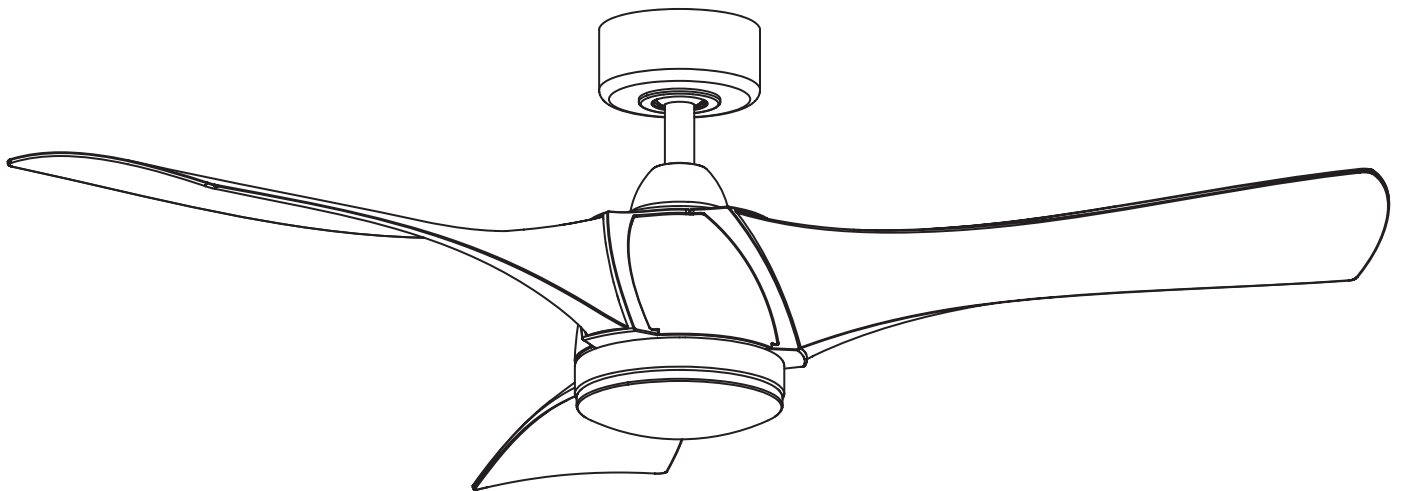
2024/01 V.01  
Copyright 2024 Fanimation



**FANIMATION**<sup>®</sup>  
SHOWROOM COLLECTION

## VENTILADOR DE TECHO KLEAR<sup>™</sup>

MODELO #FPD6858\*\*



**ADJUNTE SU RECIBO AQUÍ Y REGISTRE SU VENTILADOR EN FANIMATION.COM  
LEA Y GUARDE ESTAS INSTRUCCIONES**

**Código de fecha** \_\_\_\_\_ **Fecha de compra** \_\_\_\_\_ **Peso neto 7.70 kgs (16.98 lbs)**

Para ofrecer un servicio rápido y de calidad, por favor suministre el código de fecha. Puede encontrar el código de fecha en el paquete, en el mando a distancia (dentro del compartimento de las pilas), en el receptor o en la parte superior de la carcasa del ventilador.



**Preguntas, problemas, piezas faltantes?** Antes de volver a la tienda, llame a nuestro Departamento de Servicio al Cliente al 1-888-567-2055, 8 a.m. - 5 pm, hora del Este, de lunes - viernes.

## **Instrucciones de seguridad importantes**

### **ADVERTENCIA: Siga estas instrucciones para prevenir incendios, descargas eléctricas y lesiones personales graves.**

1. Lea el manual del propietario y la información de seguridad antes de instalar su nuevo ventilador. Observe los diagramas de ensamblaje adjuntos.
2. Antes de llevar a cabo el mantenimiento o la limpieza de la unidad, desconecte la electricidad en el panel de servicio y bloquee los medios de desconexión del mismo para evitar que se active accidentalmente. Si no se pueden bloquear los medios de desconexión del servicio, coloque un dispositivo de advertencia, como una etiqueta, en el panel de servicio.
3. Tenga cuidado con la estructura y las aspas del ventilador cuando limpie, pinte o trabaje cerca del mismo. Desconecte siempre la electricidad del ventilador de techo antes de llevar a cabo el mantenimiento.
4. No coloque nada en las aspas del ventilador cuando éste se encuentra en funcionamiento.
5. No accione el conmutador inversor hasta que las aspas del ventilador se hayan detenido por completo.
6. El dispositivo no ha sido diseñado para ser utilizado por niños o personas enfermas sin supervisión. Los niños deben ser supervisados para asegurarse de que no juegan con el dispositivo.

## **Instrucciones de seguridad adicionales**

1. Para evitar posibles descargas eléctricas, asegúrese de que la electricidad esté desconectada en la caja de fusibles antes de realizar la instalación eléctrica, y no haga funcionar el ventilador sin las aspas.
2. Todos los procedimientos de conexión eléctrica e instalación deben cumplir con los Códigos eléctricos nacionales (ANSI/NFPA 70) y Códigos locales. El ventilador de techo debe estar conectado a tierra a fin de prevenir posibles descargas eléctricas. La instalación eléctrica debe ser llevada a cabo o aprobada por un electricista autorizado.
3. Se debe fijar bien la base del ventilador; ésta debe ser capaz de soportar sin problemas al menos 15,9 kg (35 lbs). (el ventilador y los accesorios no deben exceder las 35 lbs o 15,9 kg). Consulte la página 38 del manual del propietario para ver los requisitos de soporte. Si tiene dudas, consulte a un electricista calificado.
4. Las aspas del ventilador deben instalarse por lo menos a 2,13 m (7 pies) del suelo, a fin de evitar un contacto accidental con las mismas.
5. Siga las recomendaciones sobre el método correcto de instalación eléctrica de su ventilador de techo. Si no posee la experiencia o los conocimientos eléctricos adecuados, contrate a un electricista autorizado para instalar el ventilador.
6. Apto para usar con controles de velocidad de estado sólido con las piezas suministradas o los accesorios indicados por Fanimation específicamente para el mismo.
7. Este ventilador es ideal para lugares secos y húmedos.
8. Use solo con los kits de luz marcados como adecuados para usar en lugares húmedos.
9. En lo que respecta a las conexiones de suministro, si el conductor del ventilador está identificado como conductor con conexión a tierra, se le debe conectar a un suministro de electricidad con conductor de puesta a tierra. Si el conductor del ventilador está identificado como conductor que no es de puesta a tierra, se le debe conectar a un suministro de electricidad con conductor sin puesta a tierra. Si el conductor del ventilador está identificado para equipos de puesta a tierra, se le debe conectar al conductor de equipos de puesta a tierra.
10. El mando a distancia de este producto contiene pilas de botón/plana de litio. Si la pila de botón/plana de litio nueva o usada se ingiere o entrase en el cuerpo humano, puede causar severas quemaduras internas y puede causar la muerte en tan solo 2 horas. Asegure siempre por completo el compartimento de la pila. Si el compartimento de la pila no está cerrado de forma segura, deje de utilizar el mando a distancia del producto, extraiga las pilas y manténgalo alejado del alcance de los niños. Si piensa que las pilas pueden haber sido tragadas o colocadas dentro de cualquier parte del cuerpo humano, busque asistencia médica inmediatamente.
  - Las pilas planas deben ser desechadas adecuadamente, y siempre debe estar fuera del alcance de los niños.
  - Las pilas planas también pueden causar heridas.
11. Apagar el control de pared puede anular cualquier dispositivo inteligente habilitado o comandos de control remoto.

**ADVERTENCIA:** Peligro de quemadura química. Mantenga las pilas lejos del alcance de los niños.

**ADVERTENCIA:** PARA REDUCIR EL RIESGO DE DESCARGAS ELÉCTRICAS, ESTE VENTILADOR SE DEBE INSTALAR CON UN CONTROL/INTERRUPTOR DE PARED AISLADO.

**ADVERTENCIA:** Este producto está diseñado para ser usado sólo con las piezas suministradas o los accesorios indicados específicamente para el mismo. Si utiliza piezas o accesorios que no están indicados para su uso con este producto, podría sufrir lesiones personales o dañar el ventilador.

**ADVERTENCIA:** Para reducir el riesgo de lesiones personales, no doble los soportes de las aspas (borde o soporte de aspas) al instalar los soportes, balancear las aspas o limpiar el ventilador. No coloque objetos extraños entre las aspas del ventilador en funcionamiento.

**ADVERTENCIA:** No utilice este ventilador con un controlador variable de pared (Rheostat) o un regulador de intensidad. Si lo hiciera podría dañar la unidad del mando a distancia del ventilador de techo.

**ADVERTENCIA:** Monte a una caja de salida aceptable para apoyo de los aficionados de 15,9 kg (35 lbs) o menos.

**ADVERTENCIA:** Para reducir el riesgo de incendios, descargas eléctricas o lesiones personales, no utilice piezas de repuesto que no hayan sido recomendadas por el fabricante. (por ejemplo, Piezas fabricadas en casa con una impresora 3D).

**Este dispositivo cumple con la Parte 15 de las Normas de la FCC. La operación está sujeta a las siguientes dos condiciones:**

**(1) Este equipo no causará interferencias perjudiciales y (2) este equipo tolerará cualquier interferencia recibida, incluidas las interferencias que puedan provocar un funcionamiento no deseado. Las modificaciones que no estén aprobadas por la parte responsable del cumplimiento podrían anular la autorización del usuario para utilizar el equipo.**

**Nota:** Tras someterlo a las pruebas correspondientes, se ha determinado que este equipo cumple con los límites establecidos para dispositivos digitales de Clase B de conformidad con la parte 15 de la Normativa FCC. Estos límites se han establecido con el objetivo de aportar una protección razonable contra interferencias perjudiciales cuando el equipo se utiliza en el hogar. Este equipo genera, utiliza y puede emitir energía de radiofrecuencia y, a menos que se instale y se utilice de acuerdo con el manual de instrucciones, puede provocar interferencias perjudiciales en las comunicaciones por radio y televisión. Si el equipo produce interferencias perjudiciales en la recepción de radio o televisión, lo cual puede probarse encendiendo y apagando el equipo, se recomienda al usuario corregir dichas interferencias tomando una o varias de las siguientes medidas:

- Modificar la orientación o ubicación de la antena de recepción;
- Aumentar la separación entre el equipo y el receptor;
- Conectar el equipo a una toma de corriente o circuito diferente al del receptor;

**Consulte al distribuidor o a un técnico especialista de radio o TV para obtener más ayuda.**

## GARANTÍA LIMITADA DE POR VIDA

**Se extiende al comprador original del ventilador Fanimation solo desde un distribuidor/minorista autorizado de Fanimation**

1. GARANTÍA LIMITADA DE POR VIDA DEL MOTOR - Si se produjera una falla en alguna de las partes del motor de su ventilador debido a un defecto en los materiales o en la fabricación durante el tiempo de vida del comprador original, Fanimation proporcionará la pieza de repuesto sin cargo una vez que el ventilador defectuoso sea devuelto a nuestro centro de servicios nacional. Se requiere comprobante de venta. El cliente se hará responsable de todos los gastos de remoción o reinstalación y envío del producto para reparaciones o sustitución.
2. GARANTÍA DE MANO DE OBRA DEL MOTOR POR UN AÑO - Si el motor de su ventilador fallara antes de cumplirse un año a partir del momento de su compra original debido a defectos en los materiales o en la fabricación, se le efectuará la reparación del mismo sin cargo en nuestro centro de servicios nacional. El comprador se hará responsable de los gastos de mano de obra luego del período de un año. El cliente se hará responsable de todos los gastos de remoción o reinstalación y envío del producto para reparaciones o sustitución.
3. Si otra pieza del ventilador fallara dentro del período de un año a partir de la fecha de compra original debido a un defecto en los materiales o en la fabricación, repararemos o sustituiremos, según creamos conveniente, la pieza defectuosa sin cargo alguno en nuestro centro de servicios nacional.
4. Debido a las diversas condiciones climáticas, esta garantía no cubre cambios en la terminación, incluidos oxidación, corrosión, falta de brillo o peladuras.
5. Esta garantía es nula y no se aplica a daños por instalación incorrecta, negligencia, accidentes, uso indebido, exposición al calor o a la humedad en exceso, o como resultado de cualquier modificación realizada al producto original.
6. Todos los gastos de remoción y reinstalación del ventilador son responsabilidad exclusiva del propietario, y no de la tienda que vendió el ventilador ni de Fanimation.
7. Fanimation se reserva el derecho de modificar o discontinuar un producto en cualquier momento, o sustituir cualquier pieza según lo establecido por esta garantía.
8. En ningún caso se podrá devolver un ventilador sin previa autorización por parte de Fanimation. Las devoluciones autorizadas deberán ir acompañadas del recibo de venta y deberán enviarse a Fanimation, previo pago del flete. El ventilador que se devuelva deberá estar embalado en forma adecuada a fin de evitar daños durante el transporte. Fanimation no se hará responsable de los daños que resulten del embalaje incorrecto del producto.
9. Se entiende que las reparaciones y las sustituciones son el único recurso disponible de Fanimation. No existe ninguna otra garantía expresa o implícita. Por la presente, Fanimation niega todas las garantías implícitas, que incluyen, entre otras, la comerciabilidad y la aptitud para determinado fin hasta donde la ley lo permita. Algunos estados no permiten limitaciones sobre las garantías implícitas. Fanimation no se hará responsable por daños accidentales, resultantes o especiales derivados del uso o el rendimiento del producto o en conjunción con éste, excepto en los casos en los que la ley así lo disponga. Esta garantía le otorga derechos legales especiales y es posible que también goce de otros derechos que pueden variar según el estado.
10. Es normal que se produzca un cierto movimiento oscilante y esto no debe considerarse un problema o defecto.

## Tabla de contenidos

Instrucciones para el desempaque.....	37	Cómo Configuración de la App fanSync WiFi .....	53
Uso eficiente de la energía en ventiladores de techo.....	38	Consejos para el comando de voz .....	57
Requisitos eléctricos y estructurales.....	38	Preguntas frecuentes y consejos para solucionar problemas de fanSync WiFi .....	58
Cómo ensamblar las aspas del ventilador de techo .....	40	Guía del router inalámbrico fanSync .....	61
Cómo ensamblar el ventilador de techo.....	41	Cómo instalar su mando a distancia.....	63
Cómo colgar el ventilador de techo .....	43	Mantenimiento.....	63
Cómo realizar la instalación eléctrica del ventilador de techo.....	45	Limpieza de las aspas.....	63
Cómo instalar la carcasa de la cubierta .....	47	Solución de problemas.....	64
Cómo ensamblar su el kit de iluminación o la tapa .....	48	Lista de piezas.....	65
Cómo utilizar su ventilador de techo .....	50	Ilustración del despiece.....	66



Este manual está diseñado para facilitar, en la medida de lo posible, el ensamblaje, la instalación, el funcionamiento y el mantenimiento de su ventilador de techo

## Herramientas necesarias para el ensamblaje (No incluido)

- Destornillador Phillips
- Destornillador de ¼"
- Escalera de tijera
- Pelacables

### **⚠ ADVERTENCIA**

Antes de ensamblar el ventilador de techo, consulte la sección sobre el método correcto de instalación eléctrica del ventilador (página 45). Si siente que no posee la experiencia o los conocimientos eléctricos necesarios, contrate a un electricista autorizado para instalar el ventilador.

## Materiales

La caja de distribución eléctrica y los conectores de la caja deben ser del tipo requerido por el código local. El cable más pequeño debe ser un cable de tres conductores (de dos conductores con conexión a tierra) del siguiente tamaño:

longitud del cable instalado	tamaño del cable según el A.W.G. (Calibre de Alambre Estadounidense)
hasta 15,2 m (50 pies) de	14
15,2 a 30,5 m (50 a 100 pies)	12

**NOTA:** coloque las piezas de las bolsas de piezas individuales en un contenedor pequeño para evitar que se extravíen. Si faltan piezas, póngase en contacto con su proveedor local.

## Instrucciones para el desempaque

Para su comodidad, marque cada uno de los pasos. A medida que completa cada paso, coloque una marca de verificación. Con esto se asegurará de completar todos los pasos y podrá saber desde dónde retomar si fuera interrumpido.

### **⚠ ADVERTENCIA**

No instale ni utilice el ventilador si falta alguna pieza o si hay piezas dañadas. Este producto está diseñado para ser utilizado sólo con las piezas suministradas o los accesorios indicados por Fanimation específicamente para el mismo. La sustitución de piezas o accesorios que Fanimation no designó para usar con este producto podría ocasionar lesiones personales o daños en el ventilador. Póngase en contacto con su tienda si faltan piezas o hay piezas dañadas.

1. Verifique que haya recibido las siguientes piezas:

**NOTA:** Si no está seguro de la descripción de una pieza, consulte la ilustración del despiece.

**Unidad del soporte de suspensión (1)**  
**Capuchón de techo (1)**  
**Unidad del motor (1)**  
**Unidad del carcasa de interruptor (1)**  
**Receptor (1)**  
 Conectores de cables (5 adicionales)

**Unidad del barral/de la semiesfera (1)**  
 - Bola para colgar (1)  
 - Varilla (1)  
 - Tornillo de fijación (1)  
 - Pasador (1)  
 - Clip de horquilla (1)  
 - Pasador de horquilla (1)

**Cubierta para el tornillo del capuchón (1)**  
**Unidad de luz LED (1)**  
**Mano a distancia (1)**  
 Placa de la pared (1)

**Cubierta de unión del motor (1)**  
**Cubierta del cable del kit de iluminación (1)**  
**Unidad de vidrio /kit de iluminación (1)**  
 Tornillos (2)  
 Batería (1)

**Placa de pala (1)**  
**Tapa de acero (1)**  
**Juego de aspas (1)**

**Kit de cable de extensión (1)**  
 (para usar con varillas más largo opcional - vende por separado)

**Bolsas de accesorios**  
 3/16"-24 Tornillo de cabeza troncocónica con arandela de resorte/arandela plana (13)  
 Conectores de cable (4)

# Uso eficiente de la energía en ventiladores de techo

El nivel de rendimiento y ahorro de energía de los ventiladores de techo dependen de su correcta instalación y uso. A continuación le presentamos algunas sugerencias para asegurar un rendimiento eficiente del producto.

## Selección del lugar de montaje adecuado

Los ventiladores de techo se deben instalar en el centro de la habitación, a 2,13 m (7 pies) de altura del piso hasta la cuchilla como mínimo y 0,5m (18 pulgadas) de las paredes hasta la cuchilla. Si la altura del techo lo permite, instale el ventilador a 2,5m (8-9 pies) de altura del piso hasta la cuchilla para un flujo de aire óptimo. Consulte en su tienda minorista de Fanimation para obtener accesorios de montaje opcionales.

## Apague el ventilador cuando no se encuentre en la habitación

Los ventiladores son para refrescar a la gente, no a las habitaciones. Si la habitación está vacía, apague el ventilador de techo para ahorrar energía.

## Uso del ventilador de techo todo el año

**En verano:** Use el ventilador de techo en sentido contrario a las agujas del reloj. El flujo de aire que produce el ventilador creará un efecto frío del aire que lo refrescará más. Seleccione una velocidad que le proporcione una brisa confortable. Las velocidades más bajas consumen menos energía.

**En invierno:** Invierta el motor y haga funcionar el ventilador de techo a velocidad baja y en el sentido de las agujas del reloj. Esto produce una suave corriente ascendente, que obliga al aire cálido que se acumula cerca del techo a bajar al espacio ocupado. No olvide ajustar el termostato cuando utilice el ventilador de techo. Con este sencillo paso puede ahorrar energía adicional y dinero.

## Requisitos eléctricos y estructurales

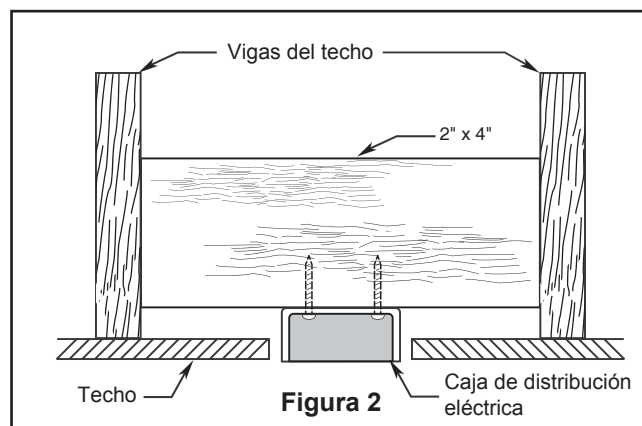
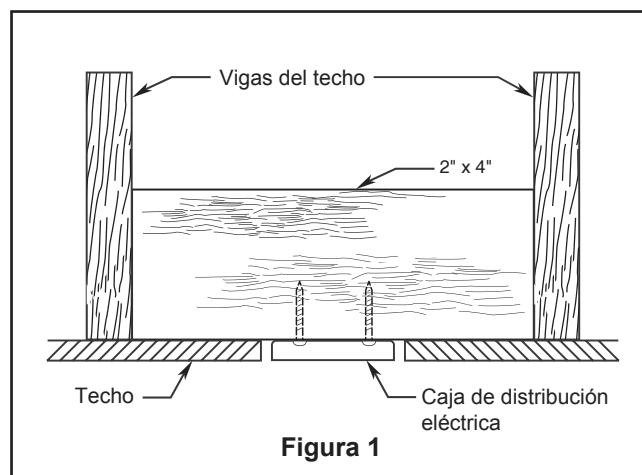
Su nuevo ventilador de techo requiere una línea de suministro eléctrico con conexión a tierra de 120 voltios de CA, 60 Hz, circuito de 15 amperios. La normativa eléctrica requiere el uso de una caja de distribución eléctrica para ventiladores que soporte el peso extra y el movimiento asociado a un ventilador de techo. La caja de distribución eléctrica será etiquetada como tal y soportará un ventilador de techo de un peso de hasta 70 libras. Dichas cajas varían en tipos y diseños. Asegúrese de que el tipo de su caja reúne los criterios para el ventilador que se está instalando. Las ilustraciones 1, 2 y 3 muestran las diferentes configuraciones estructurales que pueden ser utilizadas para dicha caja de distribución eléctrica.

### Uso de perfil bajo (Figura 1)

La caja lisa de 1/2 pulgada de profundidad será atornillada a una viga o bloque. Se utilizará si solo un cable va a ser introducido en la caja. También está disponible en una configuración de montaje endosado.

### Uso de perfil profundo (Figura 2)

La caja de 2-1/4 pulgada será atornillada a un bloque entre vigas que tenga suficiente espacio para colocar más de un cable.



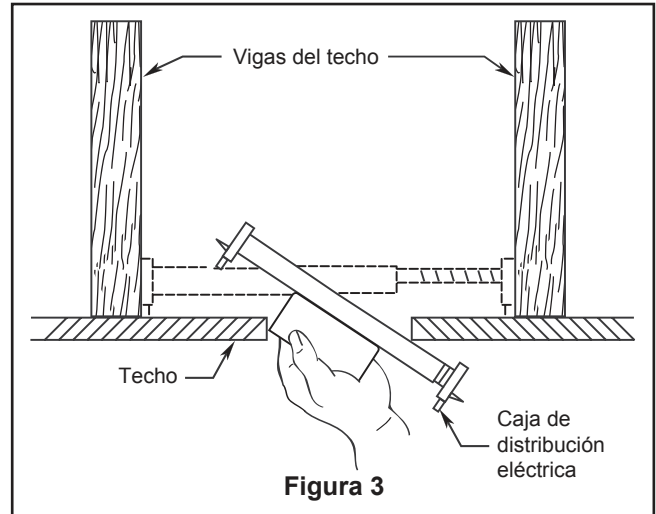
## Requisitos eléctricos y estructurales (cont.)

### Uso del soporte (Figura 3)

Conectado a una caja de distribución eléctrica, este colgador sirve para abarcar el espacio entre dos vigas y ocupar el lugar de bloqueo de la madera.

#### **⚠ ADVERTENCIA**

Para reducir el riesgo de incendios, descargas eléctricas o lesiones personales, fije el ventilador a la caja de distribución eléctrica marcada como aceptable para soporte de ventilador de 15,9 kg (35lbs). Utilice los tornillos suministrados con la caja de distribución eléctrica. La mayoría de las cajas de distribución eléctricas que comúnmente se utilizan como soporte de lámparas no son aptas para soporte de ventiladores y es posible que deban reemplazarse. Consulte a un electricista calificado si tiene dudas.



Si su ventilador va a sustituir una instalación de iluminación existente, desconecte la electricidad de la caja del fusible principal en esta ocasión y extraiga la unidad de iluminación.

#### **⚠ ADVERTENCIA**

Apagar el interruptor de pared no es suficiente. Para evitar posibles descargas eléctricas, asegúrese de que la electricidad esté desconectada en la caja de fusibles principal antes de realizar la instalación eléctrica. Toda instalación eléctrica debe cumplir con los códigos nacionales y locales y el ventilador de techo debe tener la conexión a tierra adecuada como forma de precaución ante posibles descargas eléctricas.

#### **⚠ ADVERTENCIA**

A fin de evitar incendios o descargas eléctricas, siga con cuidado todas las instrucciones de instalación eléctrica. Cualquier trabajo eléctrico que no se describa en estas instrucciones deberá ser realizado o aprobado por un electricista autorizado.

#### **⚠ ADVERTENCIA**

No utilice este ventilador con un controlador variable de pared (Rheostat) o un regulador de intensidad. Si lo hiciera podría dañar la unidad del mando a distancia del ventilador de techo.

# Cómo ensamblar las aspas del ventilador de techo

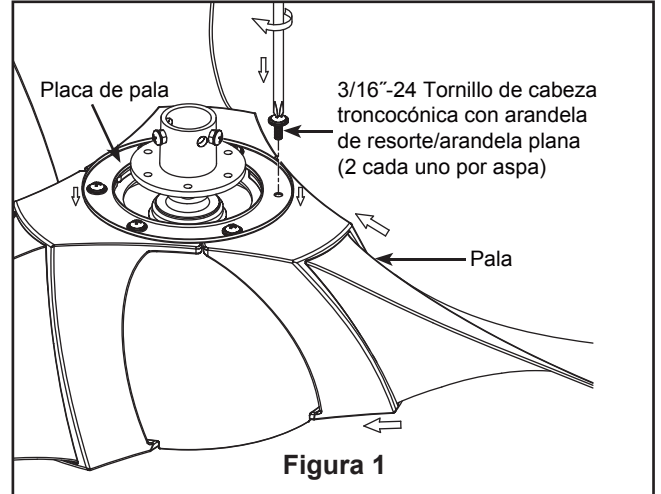
## PRECAUCIÓN

No conecte las aspas hasta que el ventilador esté totalmente instalado. Instalar el ventilador con las aspas colocadas podría ocasionar daños en las mismas.

## ⚠ ADVERTENCIA

Para reducir el riesgo de lesiones personales, no doble las aspas al instalar, balancear o limpiar el ventilador. No coloque objetos extraños entre las aspas del ventilador en funcionamiento.

1. Coloque la pala sobre el motor, alineando los orificios de la pala con los orificios de la parte superior del motor giratorio. Asegúrese de que la pala esté completamente asentada en el motor giratorio e instale los 3/16"-24 tornillo de cabeza troncocónica con arandela de resorte/arandela plana y placa de pala, pero no los apriete por completo por el momento. (Figura 1)

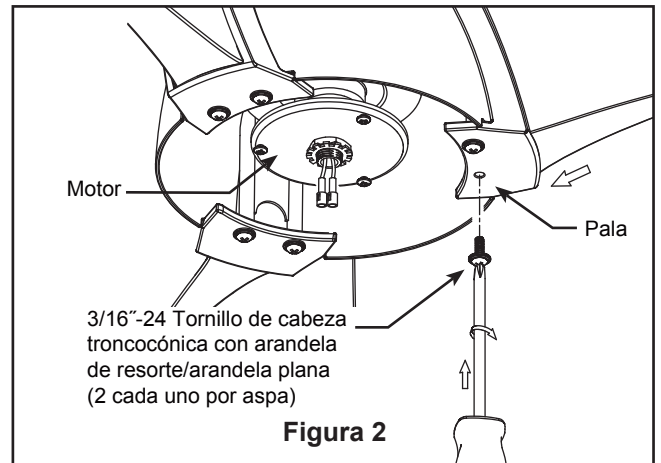


### Aditamentos utilizados:

3/16"-24 Tornillo de cabeza troncocónica con arandela de resorte/arandela plana



2. Instale y fije con firmeza todos los tornillos con arandelas planas inoxidable en la parte inferior de la palas, y luego fije los tornillos instalados anteriormente en la parte superior del motor. (Figura 2)



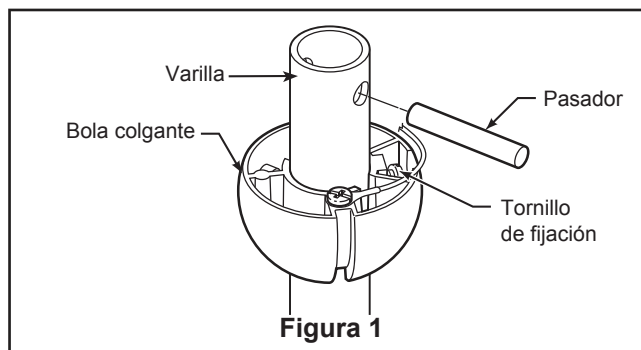
### Aditamentos utilizados:

3/16"-24 Tornillo de cabeza troncocónica con arandela de resorte/arandela plana

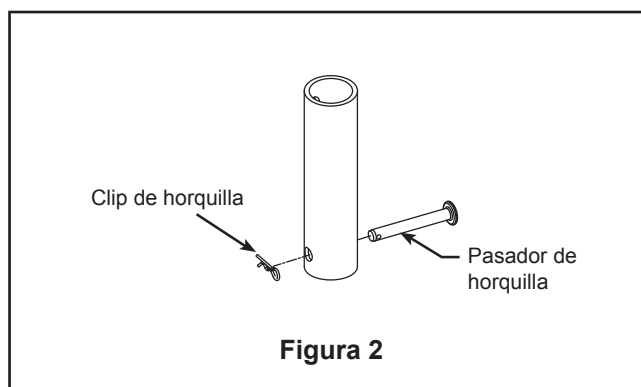


## Cómo ensamblar el ventilador de techo

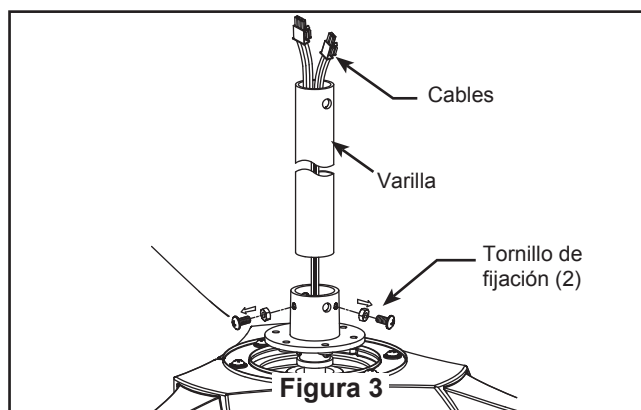
1. Extraiga la pieza de la bola colgante de la unidad de la bola colgante / varilla aflojando el tornillo de presión de la bola colgante hasta que la bola se libere de la varilla. Retire el pasador del barral y luego extraiga la semiesfera. Conserve el pasador y la semiesfera para su reinstalación en el Paso 6. (Figura 1)



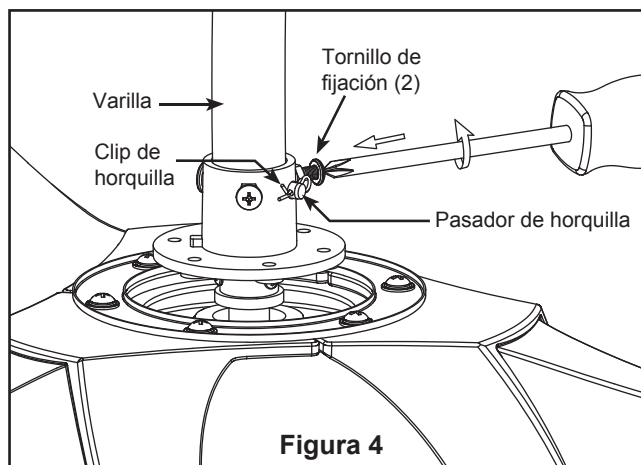
2. Retire el clip de horquilla y pasador de horquilla de la parte inferior de la bola para colgar. Retener el pasador y clip para la reinstalación en el paso 4. (Figura 2)



3. Afloje los dos tornillos de fijación del soporte del barral de soporte para techo a través de la varilla. Introduzca los cables a través de la varilla. (Figura 3)



4. Coloque el soporte de la varilla y alinee los orificios de la clavija de horquilla en ambas piezas. Instale la clavija de horquilla y asegúrela con la pinza de horquilla. Instale los set de tornillos con tuercas en el soporte de la varilla. Fije con seguridad el set de tornillos con el destornillador y luego fije bien las tuercas con una llave hexagonal. (Figura 4)

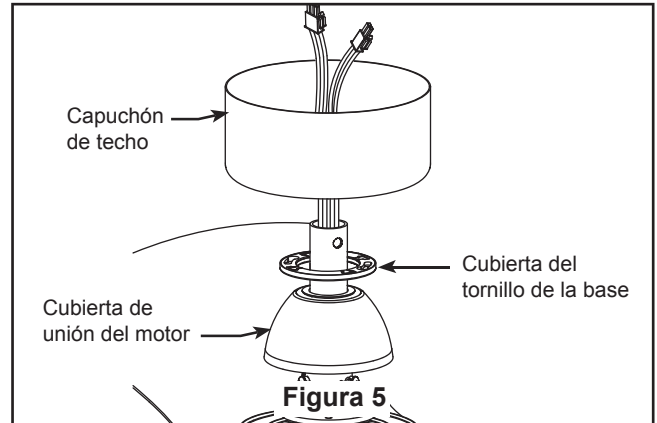


### **⚠ ADVERTENCIA**

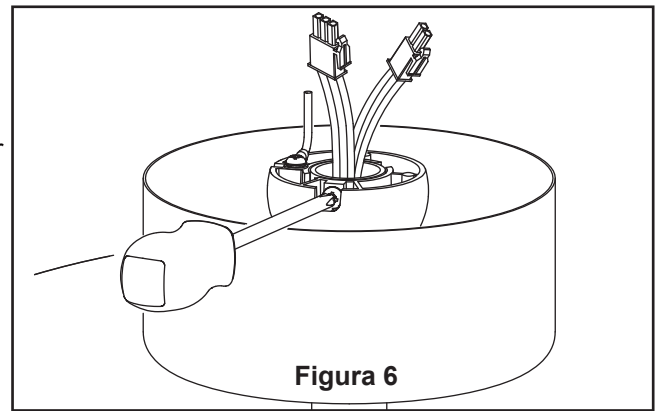
Es fundamental que instale correctamente el pasador de horquilla en el soporte de la varilla, y que ajuste firmemente los tornillos de fijación y las tuercas. El incumplimiento de dicho paso podría hacer que el ventilador se caiga.

## Cómo ensamblar el ventilador de techo (cont.)

5. Pase los cables a través de la cubierta de unión del motor, la cubierta para el tornillo del capuchón y el capuchón con el lado abierto apuntando hacia arriba. (Figura 5)



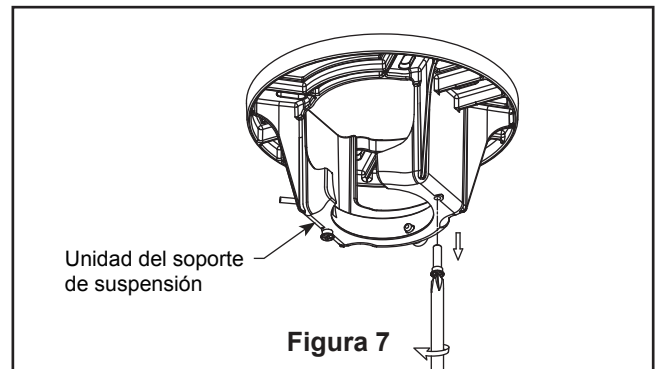
6. Vuelva a colocar la semiesfera en el barral como se indica a continuación. Pase los cables a través de la semiesfera. Pase el pasador a través de los dos orificios en el barral y alinee la semiesfera de modo que el pasador quede atrapado en la ranura de la parte superior de la misma. Empuje la semiesfera hacia arriba, bien ajustada contra el pasador. Ajuste firmemente el tornillo de fijación en la semiesfera. **Si el tornillo de fijación está flojo, podría provocar oscilación del ventilador.** (Figura 6)



### PRECAUCIÓN

Se deben revisar todos los tornillos de fijación y volver a ajustarlos cuando sea necesario antes de realizar la instalación.

7. Extraiga uno de los tornillos de hombro en el soporte del gancho y guarde los tornillos para pasos posteriores. Afloje el segundo tornillo de hombro sin extraerlo completamente. (Figura 7)



## Cómo colgar el ventilador de techo

### **⚠ ADVERTENCIA**

Para evitar una posible descarga eléctrica, asegúrese de cortar la alimentación eléctrica de la caja de fusibles principal antes de colgar el ventilador. (Figura 1)

**NOTA:** Si no está seguro de si la caja de salida tiene conexión a tierra, pida consejo a un electricista certificado, ya que debe tener conexión a tierra para un funcionamiento seguro.

### **⚠ ADVERTENCIA**

Debe colgar el ventilador a una distancia mínima de 2,13 m desde las aspas hasta el piso. (Figura 2)

### **PRECAUCIÓN**

No conecte las aspas hasta que el ventilador esté totalmente instalado. Instalar el ventilador con las aspas colocadas podría ocasionar daños en las mismas.

### **⚠ ADVERTENCIA**

La caja de distribución eléctrica debe estar bien asegurada y debe ser capaz de soportar una carga de al menos 15.9kg (35lb). El soporte de suspensión debe estar colocado firmemente contra la caja de distribución eléctrica. Si la caja de distribución eléctrica está empotrada, retire la tablaroca hasta que el soporte haga contacto con la caja. Si el soporte o la caja de distribución eléctrica no están bien asegurados, el ventilador podría oscilar o caerse.

1. Fije bien el soporte de suspensión a la caja de conexiones con los tornillos y las arandelas planas suministrados con la misma. (Figura 3)

**NOTA:** Se deben pasar los tornillos de la caja de conexiones a través de los orificios que se encuentran en el soporte de suspensión. (Figura 3)

2. Pase los cables eléctricos de la caja de conexiones a través de la abertura del soporte de suspensión, dóblelos hacia arriba y apártelos de modo que la semiesfera se ajuste fácilmente en el soporte de suspensión.

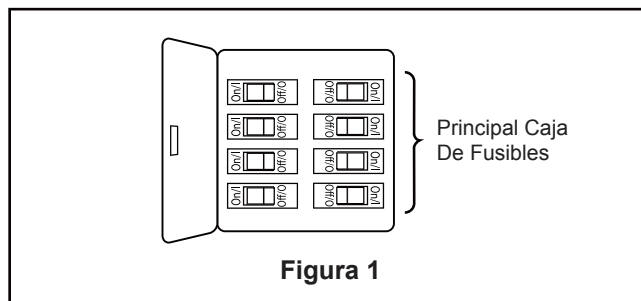


Figura 1

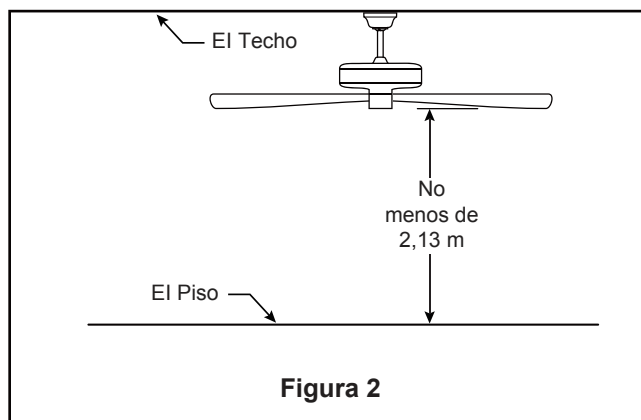


Figura 2

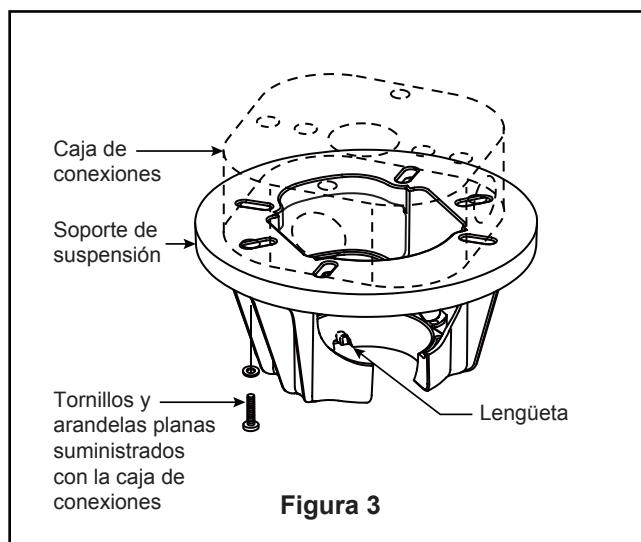


Figura 3

## Cómo colgar el ventilador de techo (cont.)

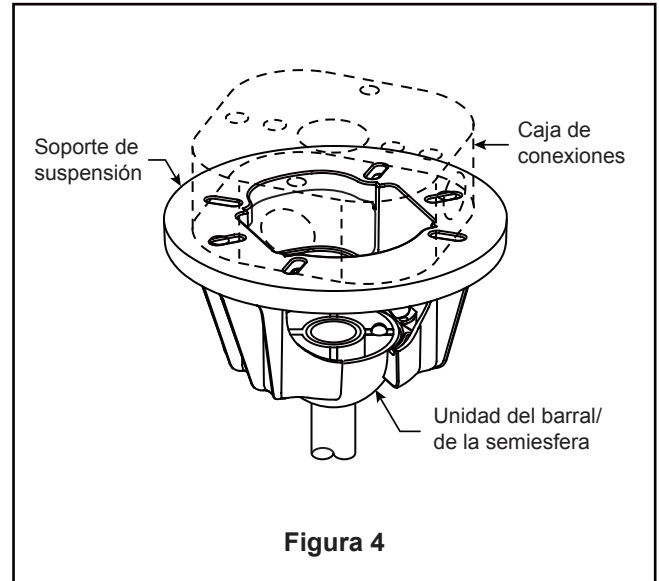
3. Con cuidado, levante el ventilador y apoye la unidad del barral/de la semiesfera en el soporte de suspensión que acaba de fijar a la caja de conexiones. (Figura 4) Asegúrese de que la ranura en la semiesfera esté alineada con el reborde del soporte de suspensión. (Figura 3)

### **⚠ ADVERTENCIA**

Si no coloca la lengüeta en la ranura, podrían dañarse los cables eléctricos y podrían ocurrir incendios o descargas eléctricas.

### **⚠ ADVERTENCIA**

Para evitar una posible descarga eléctrica, no apriete los cables entre el ensamble de la bola para colgar y la abrazadera para colgar.





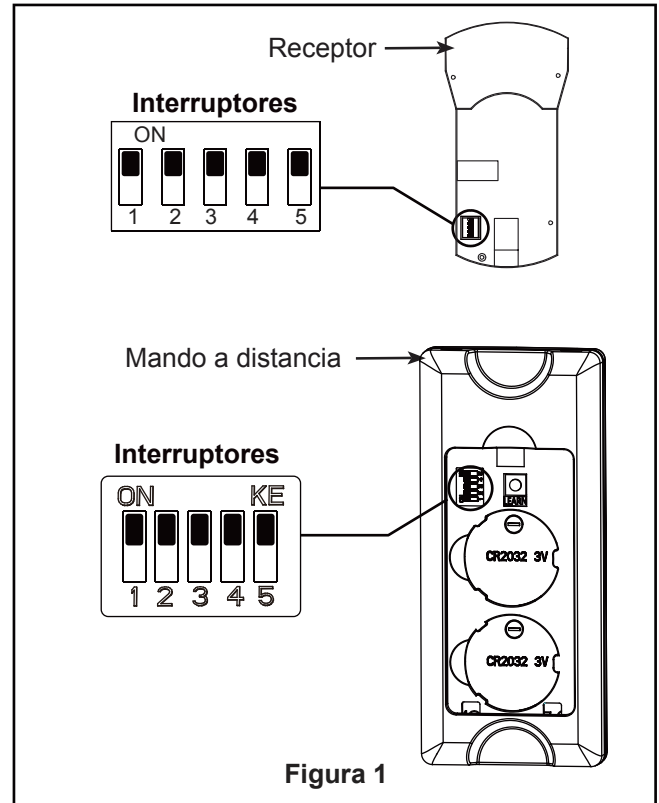
# Cómo realizar la instalación eléctrica del ventilador de techo

**NOTA:** Si los cables de suministro o del ventilador son de colores diferentes que los indicados, contrate a un electricista calificado para que realice la instalación.

1. Para configurar el código de unidad del receptor. Deslice los interruptores de código a las mismas posiciones que en el transmisor. (Figura 1)

**NOTA:** El mando a distancia incluido en este ventilador tiene 32 combinaciones diferentes de códigos. Para evitar posibles interferencias desde o hacia otros mandos a distancia, modifique el código de combinación de su transmisor y receptor.

**NOTA:** Los ajustes de fábricas vienen con todos los interruptores hacia arriba. No utilice esta posición.

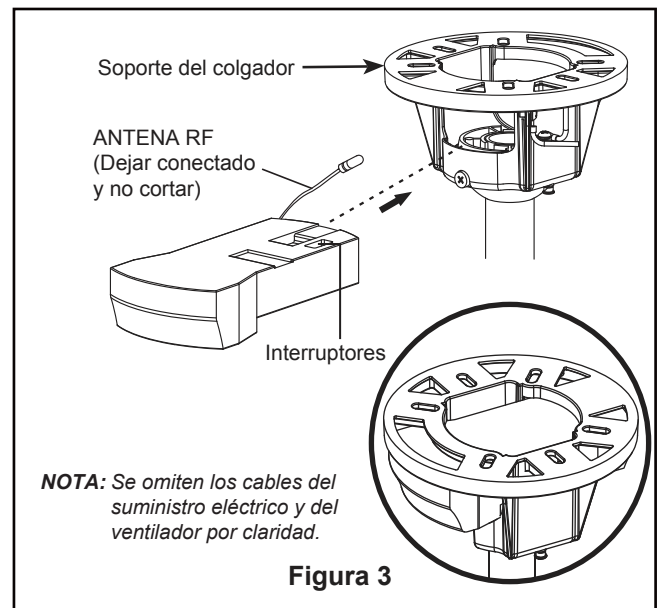
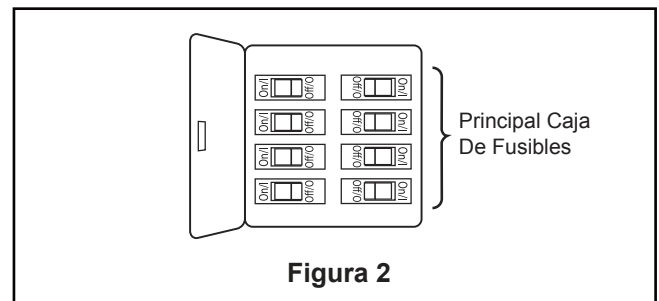


**⚠ ADVERTENCIA**

Para evitar una posible descarga eléctrica, asegúrese de cortar la alimentación eléctrica de la caja de fusibles principal antes de alambrao el ventilador. (Figura 2)

**NOTA:** Si no está seguro de si la caja de salida tiene conexión a tierra, pida consejo a un electricista certificado, ya que debe tener conexión a tierra para un funcionamiento seguro.

2. Deslice el receptor en el soporte de suspensión antes de realizar el cableado como se muestra en la figura 3.



# Cómo realizar la instalación eléctrica del ventilador de techo (cont.)

3. Realice las conexiones de cables al bloque del terminal como se muestra en la Figura 4. Conecte el conector de 2 clavijas desde unidad del motor conexión a la receptor, instale el conector de 3 clavijas desde unidad del motor conexión a la receptor.

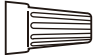
**PRECAUCIÓN:** UNA CONEXIÓN INCORRECTA DEL CABLE PODRÍA DAÑAR ESTE RECEPTOR.

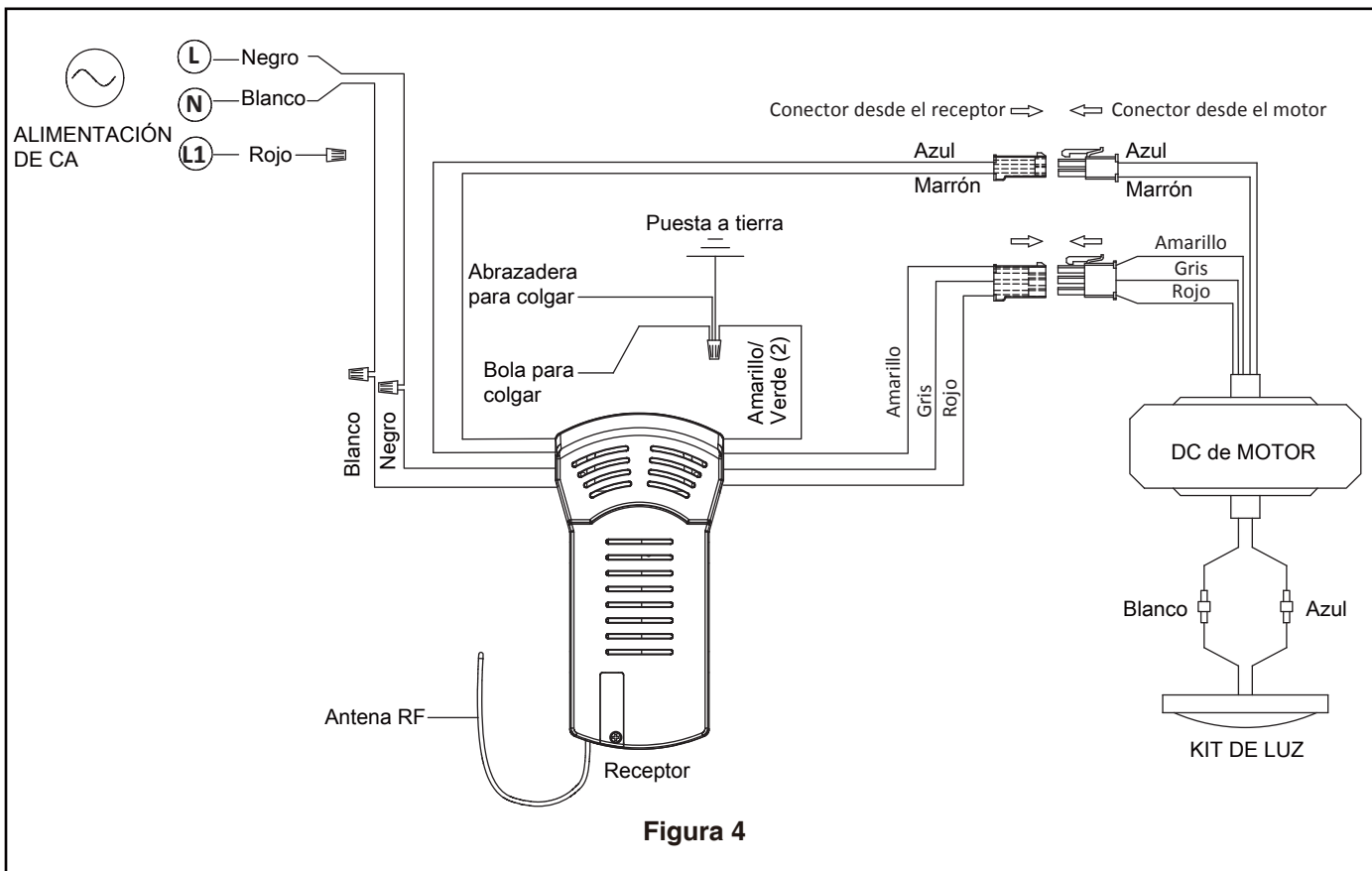
**⚠ ADVERTENCIA**

Verifique que todas las conexiones estén ajustadas, incluida la conexión a tierra, y que no haya conductores desnudos visibles en los conectores. No opere el ventilador hasta que las aspas estén instaladas. Podría ocasionar ruidos y daños al motor.

---

**Aditamentos utilizados:**

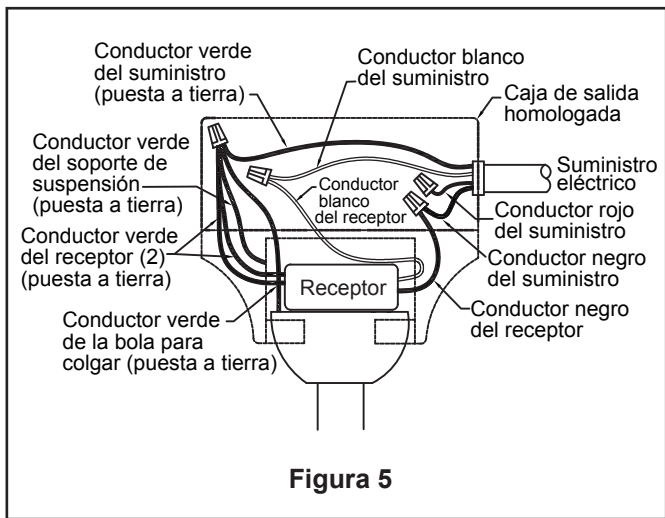
Conectores de cable  x 4



4. Una vez realizadas las conexiones, los cables deben ser colocados de forma extendida poniendo el conductor de la toma de tierra y el conductor de toma de tierra del equipo a un lado de la caja, colocando el conductor sin toma de tierra en el otro lado de la caja. gire los conductores hacia arriba y, con cuidado, colóquelos dentro de la caja de salida; con los conductores blancos y verdes hacia un lado y los conductores negros hacia el otro. (Figura 5)

**⚠ ADVERTENCIA**

Las aspas debe ser instalarse primero antes de programación



## Cómo instalar la carcasa de la cubierta

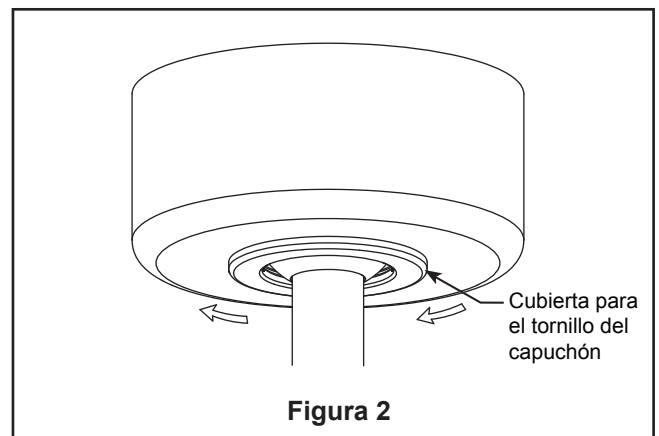
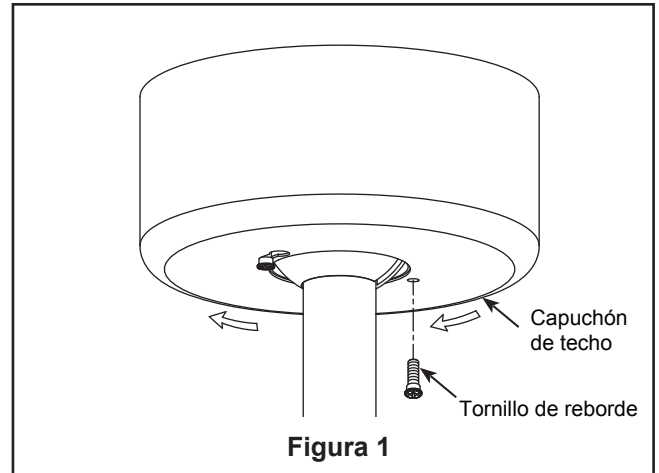
**NOTA:** Este paso se debe realizar luego de completar la instalación eléctrica necesaria.

1. Instale la cubierta rotando la ranura clave en la cubierta sobre el tornillo de hombro del soporte del gancho, teniendo cuidado de no pillar los cables. Fije el tornillo de hombro. Instale adecuadamente y fije el segundo tornillo de hombro que fue anteriormente guardado. (Figura 1)

### **⚠ ADVERTENCIA**

Para evitar posibles incendios o descargas eléctricas, asegúrese de que los cables eléctricos se encuentren completamente adentro de la cubierta del capuchón y de que no estén aprisionados entre la cubierta y el techo.

2. Coloque y ajuste firmemente la cubierta para el tornillo de la base sobre los tornillos de reborde de la abrazadera para colgar mediante el mecanismo de seguro por giro del chavetero. (Figura 2)

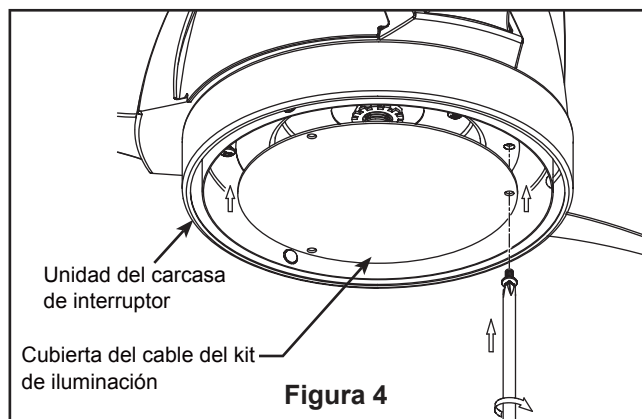
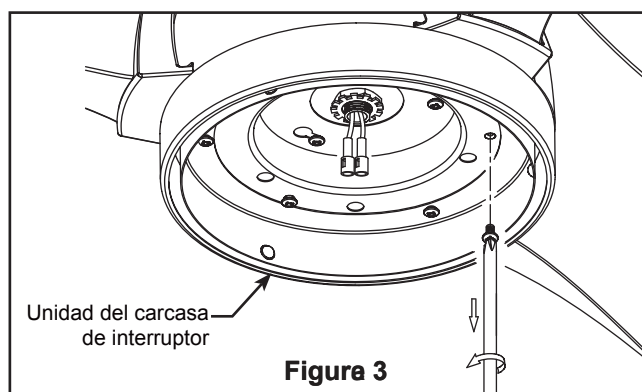
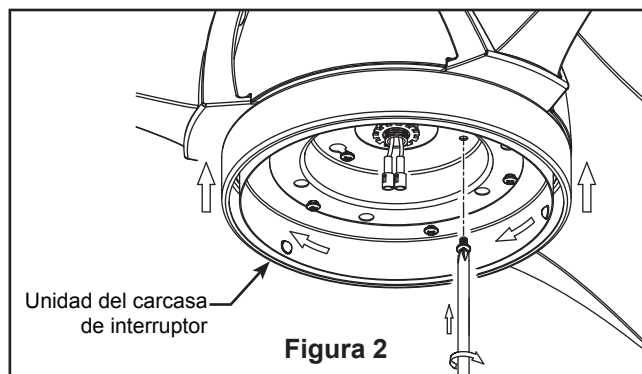
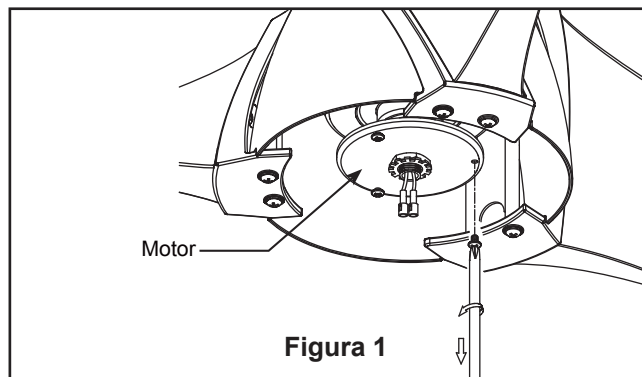


## Cómo ensamblar su el kit de iluminación o la tapa

### PRECAUCIÓN

A fin de reducir el riesgo descargas eléctricas, desconecte el circuito de suministro eléctrico al ventilador antes de instalar el kit de iluminación.

1. Extraiga uno de los tres tornillos del soporte ubicado en la parte inferior de la unidad del motor y guarde los tornillos para pasos posteriores. Afloje levemente los otros dos tornillos. (Figura 1)
2. Instale la unidad del carcasa de interruptor en el soporte utilizando las dos ranuras principales de conexión. Vuelva a colocar el tercer tornillo y asegure los tres tornillos. (Figura 2)
3. Extraiga los tres tornillos del unidad de carcasa de interruptor y guarde los tornillos para posteriores. (Figura 3)
4. Si desea instalar el kit de iluminación, sátese este paso.  
Instale la cubierta del cable del kit de iluminación en la unidad del carcasa de interruptor usando los tornillos extraídos en paso 3 y fije bien los tres tornillos. (Figura 4)

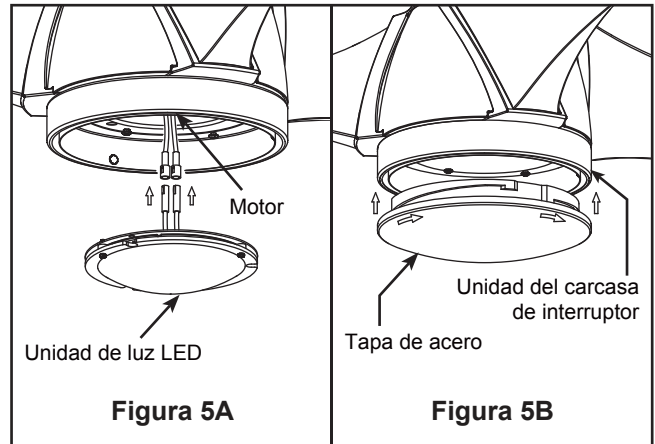


## Cómo ensamblar su el kit de iluminación o la tapa (cont.)

- 5A. Para su uso con el kit de iluminación**  
Instale el conector de 2 clavijas desde unidad de luz LED conexión a la unidad del motor. (Figura 5A)

- 5B. Para su uso con la tapa de acero**  
Si desea instalar la tapa de acero y no el conjunto de luz. Monte el la tapa de acero en la unidad del carcasa de interruptor girándolo en el sentido de las agujas del reloj. No apriete demasiado. (Figura 5B)

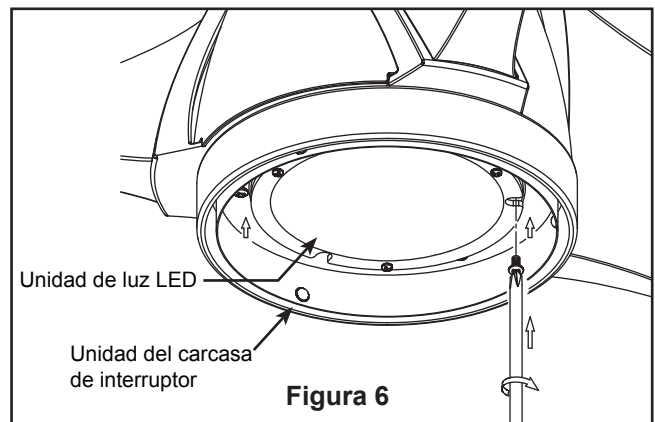
**NOTA:** Si ha instalado su ventilador con la tapa de acero, *sáltese los pasos 6 a 7.*



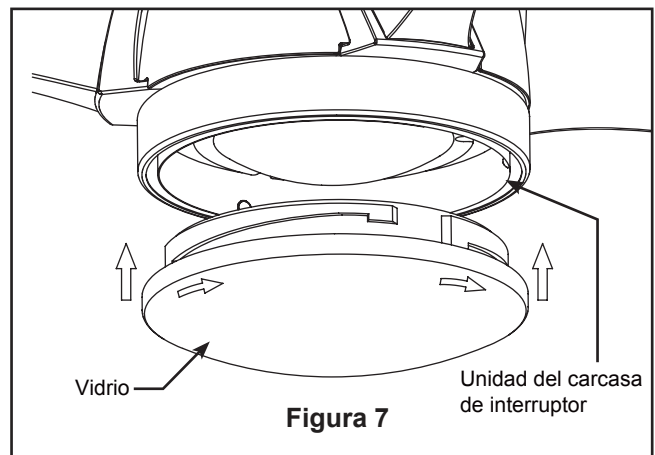
- 6.** Instale la unidad de luz LED en la unidad del carcasa de interruptor usando los tornillos extraídos en paso 3 y fije bien los tres tornillos. (Figura 6)

### PRECAUCIÓN

La fuente de luz está diseñado para esta aplicación específica y puede recalentarse si reparado por personal no capacitado. Si se requiere ningún tipo de servicio, el producto debe ser devuelto a un centro de servicio autorizado para su revisión o reparación.

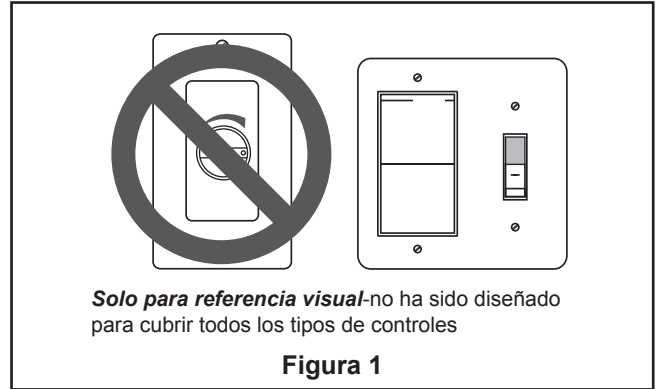


- 7.** Asegure el vidrio en la la unidad del carcasa de interruptor girándolo en el sentido de las agujas del reloj. Gire el vidrio gradualmente **hasta que encaje en la ensamble de la placa de iluminación.** Sin apretar demasiado. (Figura 7)



# Cómo utilizar su ventilador de techo

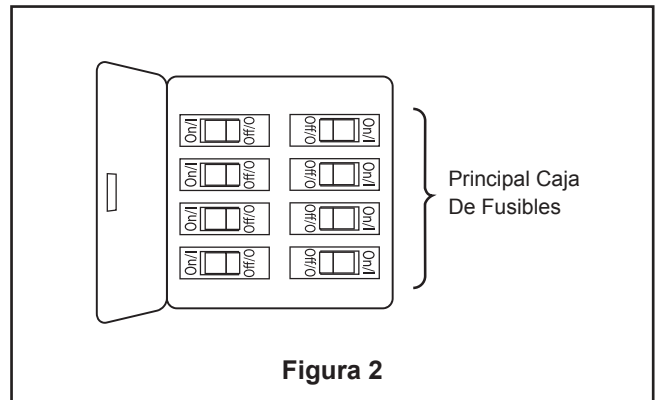
1. **IMPORTANTE:** El uso de un regulador de la intensidad completa (no incluido) para controlar la velocidad del ventilador dañará el dispositivo. Para reducir el riesgo de incendio o descarga eléctrica, no utilice dicho regulador para controlar la velocidad del ventilador. (Figura 1)



2. Restaure la fuente de alimentación de la toma de corriente enciendiendo la electricidad del fusible principal. (Figura 2)

**⚠ ADVERTENCIA**

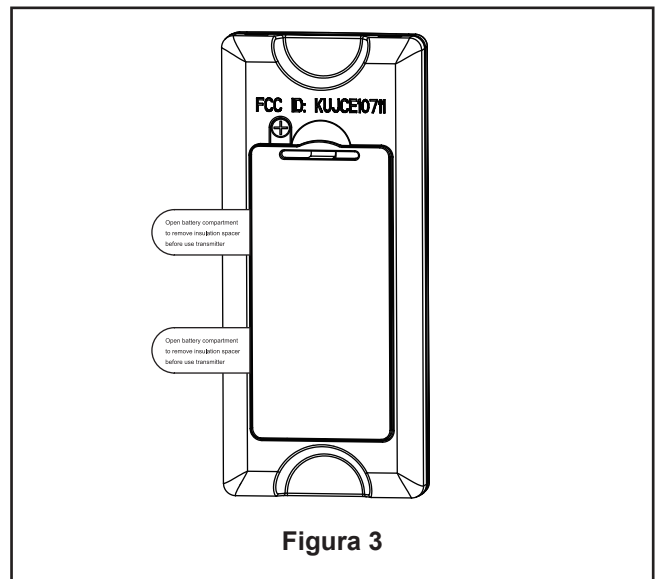
Compruebe que todas las conexiones realizadas correctamente, incluyendo la toma de tierra, y que no se visualizan ningún cable pelado en los conectores de cables, con la excepción del cable de toma de tierra. No utilice el ventilador hasta que las palas estén colocadas en su lugar, ya que de lo contrario se podría causar ruido y daños.



**⚠ ADVERTENCIA**

No utilice este ventilador con un controlador variable de pared (Rheostat) o un regulador de intensidad. Si lo hiciera podría dañar la unidad del mando a distancia del ventilador de techo.

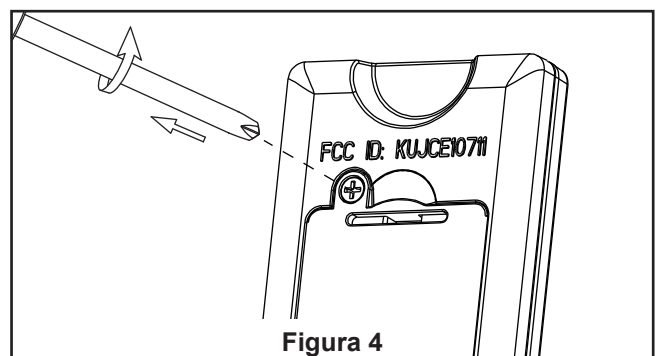
3. Para que el ventilador sea funcional. Retire la lengüeta del aislador de la batería antes de usar el transmisor. A continuación, siga el proceso de fijación remota de código. Si no se utiliza el ventilador durante un largo periodo de tiempo, extraiga la batería para evitar cualquier daño al transmisor. Almacene el mando a distancia en un lugar alejado del calor o la humedad excesiva. (Figura 3)



**⚠ ADVERTENCIA**

Peligro de quemadura química. Mantenga las pilas lejos del alcance de los niños.

4. Si necesita reemplazar la baterías. Retire la cubierta de la batería del control remoto con un destornillador y conserve el tornillo para luego. (Figura 4)



## Cómo utilizar su ventilador de techo (cont.)

5. Instale las pila de 3V en el transmisor del mando a distancia. Mientras el ventilador esté apagado. (Figura 5)

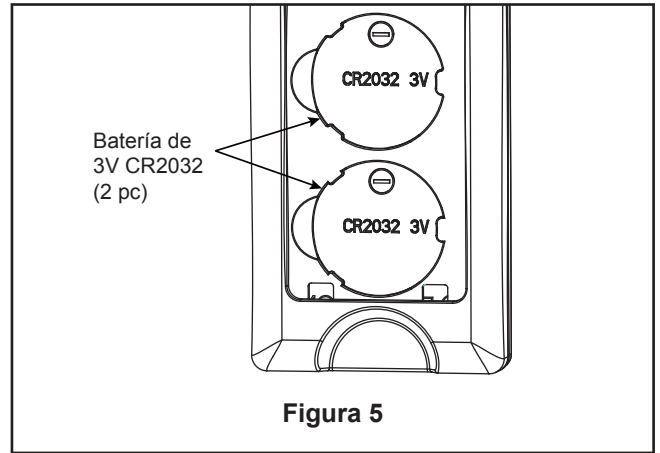


Figura 5

6. Vuelva a colocar la cubierta de la batería en el mando a distancia con un tornillo retirados previamente. (Figura 6)
7. Si tiene varios ventiladores y desea programarlos todos en un único mando a distancia, Deslice el interruptor DIP a la misma posición en TODOS los receptores a UN dispositivo móvil para configurar el código de cada ventilador y siga el Paso 1 del proceso de configuración de la velocidad del mando a distancia. Cada ventilador necesita estar a menos de 30 pies de distancia del mando al que desea programarlo. Tenga en cuenta que el interruptor de pared que controla la fuente de alimentación de su(s) ventilador(es) debería estar en la posición apagado hasta que esté listo para programar su(s) mando(s) a distancia.

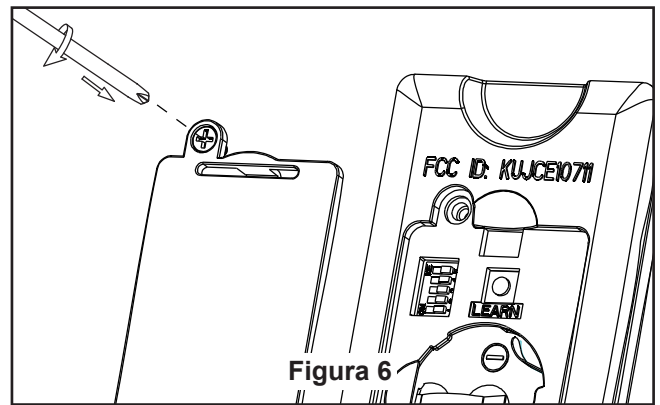


Figura 6

8. Si tiene múltiples ventiladores y desea programar cada uno con mandos a distancia diferentes, Deslice el interruptor DIP a la misma posición tanto en el receptor como en el dispositivo móvil para configurar el código de cada ventilador y siga el Paso 1 del siguiente proceso de configuración de la velocidad del mando a distancia. Repite estos pasos para cada uno de los ventiladores que desea programar a un mandos a distancia diferente. Tenga en cuenta que el interruptor de pared que controla el encendido de su(s) ventilador(es) debería estar en la posición apagado hasta que esté preparado para programar su(s) mando(s) a distancia.
9. Para configurar el código del mando a distancia a las mismas posiciones que en el receptor. Mueva los interruptores de código hasta colocar el código de selección en la posición arriba o abajo. Con un destornillador pequeño o con una lapicera (no se incluye) deslice firmemente hacia arriba o hacia abajo. (Figura 7)

**NOTA:** Los ajustes de fábricas vienen con todos los interruptores hacia arriba. No utilice esta posición.

**NOTA:** El mando a distancia incluido en este ventilador tiene 32 combinaciones diferentes de códigos. Para evitar posibles interferencias desde o hacia otros mandos a distancia, modifique el código de combinación de su transmisor y receptor.

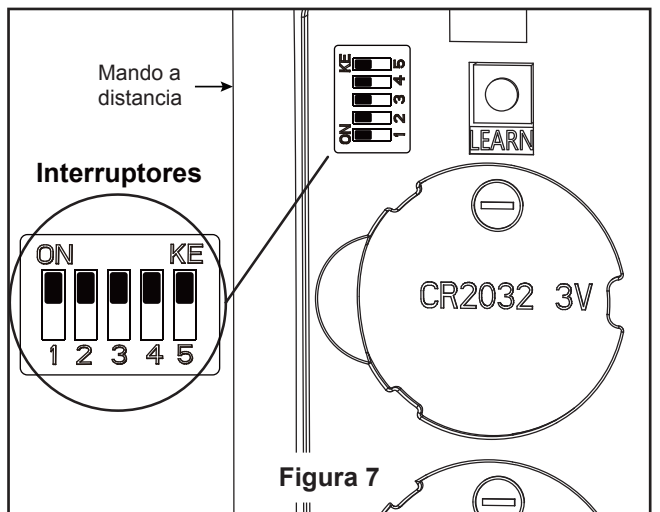















Figura 7



## Cómo utilizar su ventilador de techo (cont.)

### 10. Funciones del control remoto: (Figura 8)

LOW  HI

- Luz LED del indicador: Velocidad del ventilador e indicador atenuante de la iluminación
-  Botón: Toque este botón apaga el ventilador. Mantenga pulsado el botón durante 5 segundos para encender o apagalo el zumbador.
- Velocidad del ventilador:
  - △ Enciende el ventilador y aumenta la velocidad.
  - ▽ Enciende el ventilador y disminuye la velocidad.
-  Botón de la lámpara: Enciende o apaga la luz.
  -  Pulse el botón enciende la luz y mantenga el regulador para aumentar o disminuir la intensidad de la luz y suéltelo cuando haya elegido el nivel deseado.
  -  Cuando el luz estar en de encendido toque este botón para cambiar temperatura de color.
- Temporizador de apagado automático: El ventilador debe estar encendido al configurar el temporizador.
  -  El ventilador y la luz se apagará después de 1 horas.
  -  El ventilador y la luz se apagará después de 3 horas.
  -  El ventilador y la luz se apagará después de 6 horas.
-  Lejos de casa: Toque este botón, la luz parpadeará dos veces para indicarle que se habrá completado el proceso de configuración, el ventilador se apagará y la luz se encenderá y apagará aleatoriamente mientras esté lejos, pulse ningún botón(es) cancelar la función.
-  Air Fresco: La velocidad del ventilador se modulará para simular la brisa natural.
-  Salida segura: Toque este botón, la luz parpadeará una vez para indicarle que se habrá completado el proceso de configuración, la luz y el ventilador se apagará después de 1 minuto, pulse ningún botón(es) cancelar la función.
-  Botón de reversa: hacia delante o al revés. El ventilador debe estar funcionando para podrá revertir la dirección.
  -  Verano-El ventilador funciona en el sentido contrario a las agujas del reloj. El flujo del aire ofrece una brisa refrigerante hacia abajo.
  -  Invierno-El ventilador funciona en el sentido de las agujas del reloj. El flujo del aire fuerza el aire caliente hacia abajo sin una brisa visible.

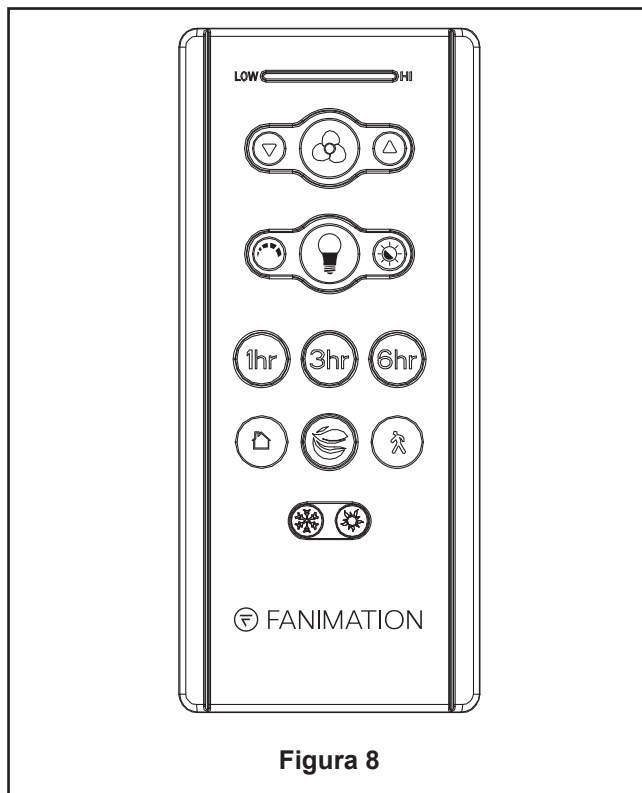


Figura 8



# Cómo Configuración de la App fanSync WiFi

1. Visite el App Store de Apple o el Play Store de Google para descargarse la App gratuita fanSync WiFi. (Figura 1)

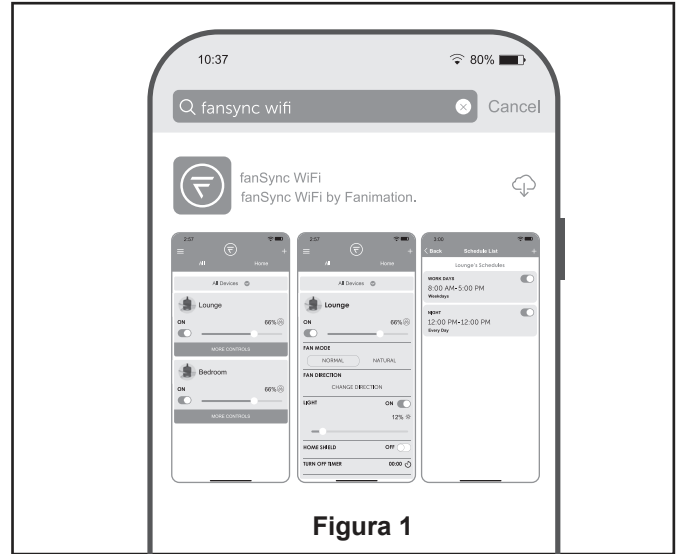


Figura 1

2. Cree su cuenta utilizando una de las tres opciones enumeradas. (Figura 2)

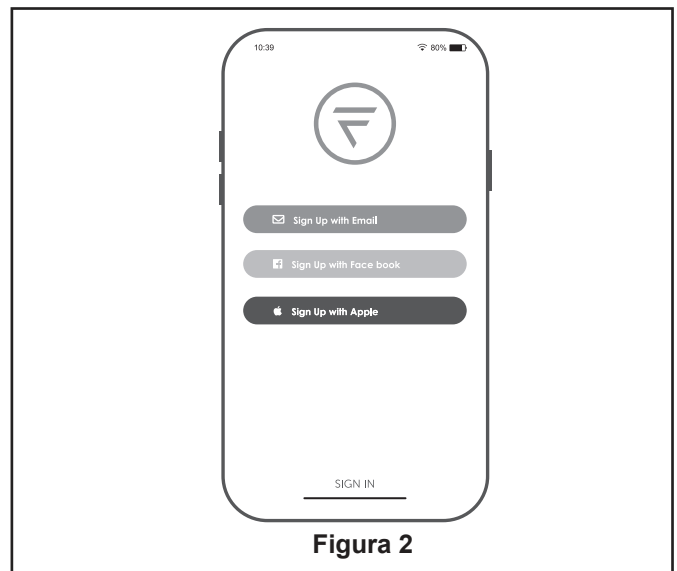


Figura 2

3. Si se registró utilizando la opción de correo electrónico, compruebe su buzón de entrada para encontrar el correo electrónico de configuración de la cuenta por primera vez. Abra el mensaje y haga clic en el botón "Confirmar". Si no encuentra el mensaje, compruebe la carpeta de correo no deseado. El correo electrónico procederá de "fansync@fanimation.com". (Figura 3)

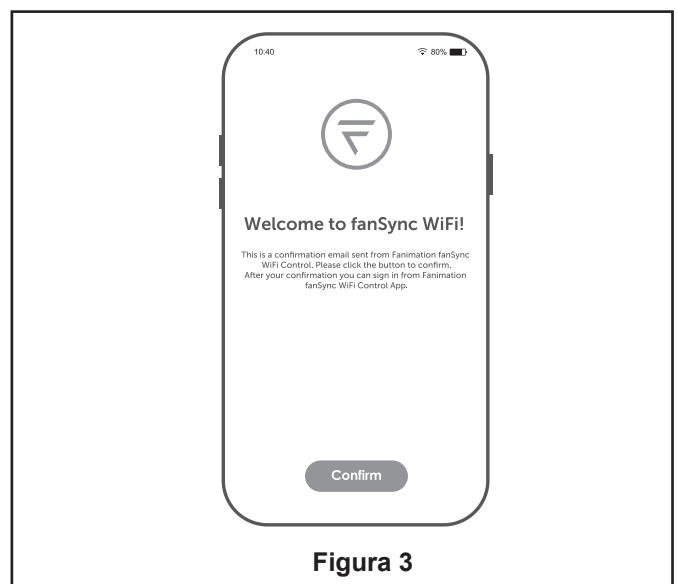


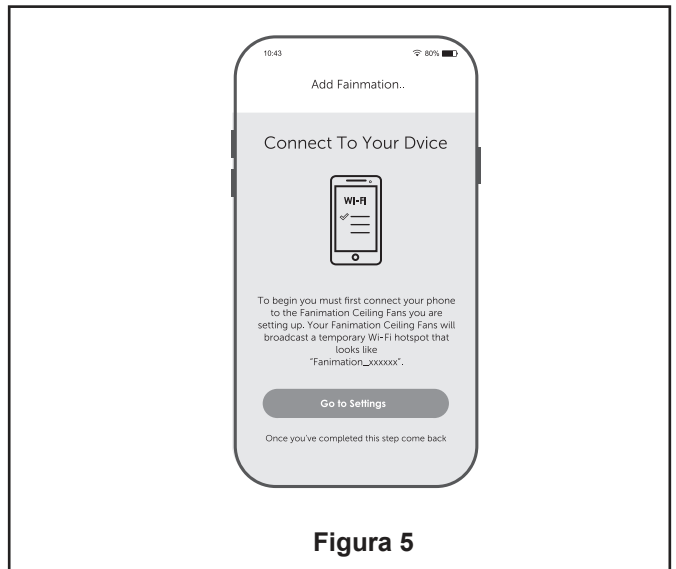
Figura 3

## Cómo Configuración de la App fanSync WiFi (cont.)

4. Después de crear la cuenta fanSync de Fanimation, puede añadir sus ventiladores en la aplicación. (Figura 4)

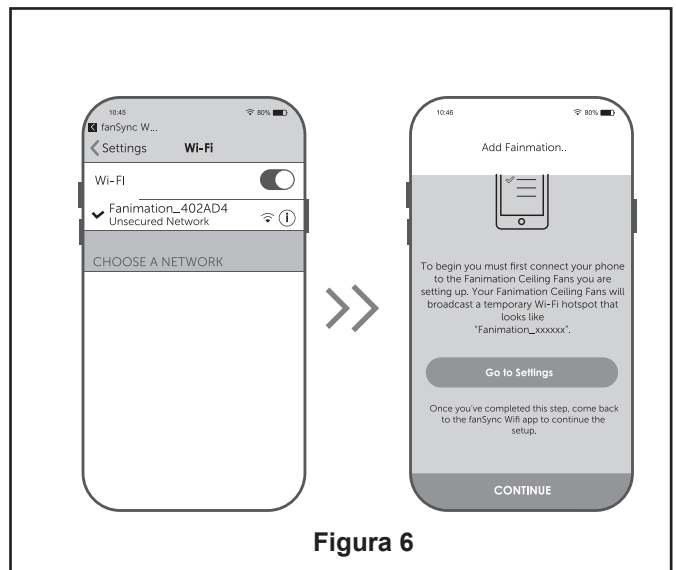


5. En este paso, el receptor WiFi de su ventilador de techo debe estar instalado y dentro del rango de su router WiFi. Con la App abierta, seleccione “añadir dispositivo”. (Figura 5)



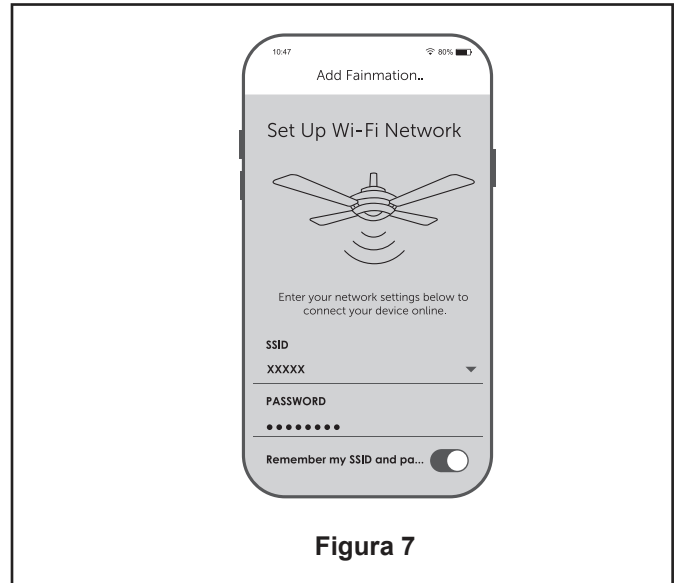
**NOTA:** El SSID WiFi predeterminada del dispositivo es: Fanimation\_XXXXXX (ej.: Fanimation\_402AD4).

6. En la configuración WiFi de su dispositivo inteligente, seleccione el dispositivo Fanimation\_XXXXXX y vuelva a la aplicación fanSync WiFi y pulse “CONTINUAR”. (Figura 6)

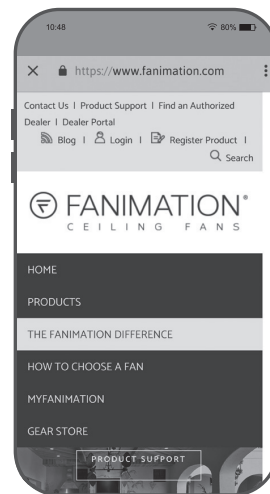
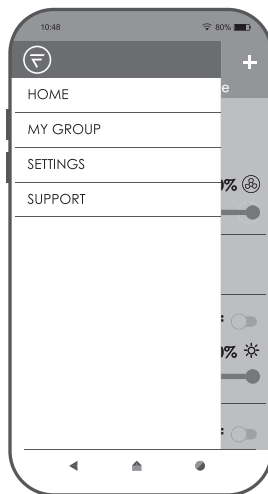
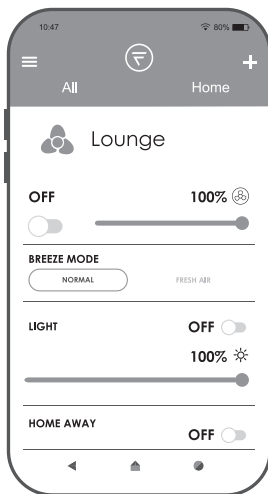


## Cómo Configuración de la App fanSync WiFi (cont.)

7. Seleccione su router WiFi e introduzca la contraseña WiFi para conectarse a su receptor WiFi fanSync. Tardará 1 - 2 minutos en conectarse. Una vez que su receptor WiFi se haya conectado, ahora puede nombrar su ventilador de techo en la App y personalizar sus ajustes. (Figura 7)

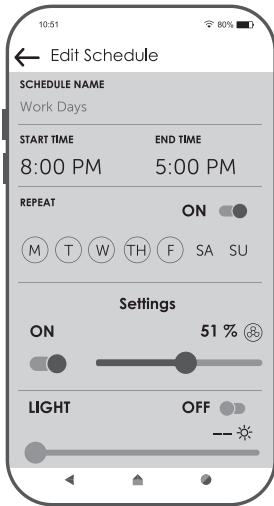


- Vista general de la App fanSync WiFi



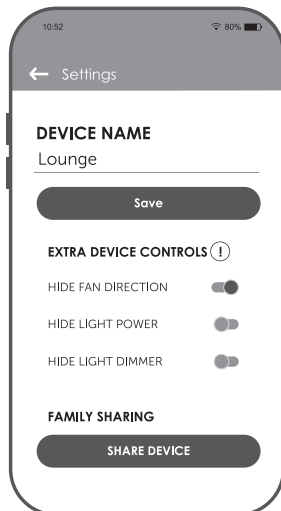
## Cómo Configuración de la App fanSync WiFi (cont.)

- Configuración de programación en tiempo real



- Compartir dispositivo

Después de conectar un dispositivo inteligente a un ventilador, puedes compartir el dispositivo con hasta 10 usuarios. Los usuarios adicionales deben tener la aplicación fanSync WiFi instalada y su cuenta creada.



## Consejos para el comando de voz

Esta sección enumera algunos de los comandos de voz que puede utilizar. Más comandos de voz de Alexa/Google Home en el siguiente enlace.

### Amazon

<https://developer.amazon.com/en-US/docs/alexa/device-apis/smart-home-general-apis.html>

### Google

<https://support.google.com/googlenest/answer/9298768?hl=en>

#### Comandos de voz de Alexa

Si solicita que	Pregunta a Alexa
Enciende solo el ventilador	Enciende la alimentación del ventilador de [nombre del dispositivo]
Apague solo el ventilador	Apague la alimentación del ventilador de [nombre del dispositivo]
Enciende solo la luz	Enciende la alimentación de la luz de [nombre del dispositivo]
Apague solo la luz	Apague la alimentación de la luz de [nombre del dispositivo]
Cambiar el brillo	Ajusta el brillo de [nombre del dispositivo] al 75% Ajusta la luz de [nombre del dispositivo] al 25% Hacer que [nombre del dispositivo] sea más tenue Hacer que [nombre del dispositivo] sea más brillante Atenuado [nombre del dispositivo] Iluminar [nombre del dispositivo] Atenuado [nombre del grupo] Iluminar [nombre del grupo]
Cambiar la temperatura del color	Cambiar [nombre del dispositivo] a blanco frío Cambiar [nombre del dispositivo] a blanco cálido Cambiar [nombre del dispositivo] a blanco
Cambiar la velocidad del ventilador	Ajusta la velocidad de [nombre del dispositivo] en la más rápida Ajusta la velocidad de [nombre del dispositivo] en rápida Ajusta la velocidad de [nombre del dispositivo] en media Ajusta la velocidad de [nombre del dispositivo] en lenta Aumentar la velocidad de [nombre del dispositivo] Disminuir la velocidad de [nombre del dispositivo]
Enciende la brisa cómoda	Enciende la brisa cómoda en [nombre del dispositivo]

#### Comandos de voz de Google

Si solicita que	Pregunta a Google
Enciende solo el ventilador	Enciende la alimentación del ventilador de [nombre del dispositivo]
Apague solo el ventilador	Apague la alimentación del ventilador de [nombre del dispositivo]
Enciende solo la luz	Enciende la alimentación de la luz de [nombre del dispositivo]
Apague solo la luz	Apague la alimentación de la luz de [nombre del dispositivo]
Cambiar el brillo	Ajusta el brillo de [nombre del dispositivo] al 75% Ajusta la luz de [nombre del dispositivo] al 25% Iluminar [nombre del dispositivo] Atenuado [nombre del dispositivo] Iluminar [nombre de la habitación] Atenuado [nombre de la habitación]
Cambiar la temperatura del color	Cambiar [nombre del dispositivo] a luz del día Cambiar [nombre del dispositivo] a blanco frío Cambiar [nombre del dispositivo] a blanco cálido
Cambiar la velocidad del ventilador	Ajusta la velocidad de [nombre del dispositivo] en la más rápida Ajusta la velocidad de [nombre del dispositivo] en rápida Ajusta la velocidad de [nombre del dispositivo] en media Ajusta la velocidad de [nombre del dispositivo] en lenta Aumentar la velocidad de [nombre del dispositivo] Disminuir la velocidad de [nombre del dispositivo]
Enciende la brisa cómoda	Enciende la brisa cómoda en [nombre del dispositivo]

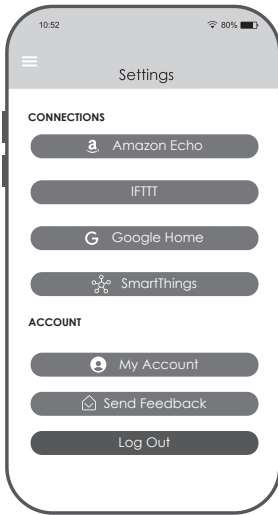
# Preguntas frecuentes y consejos para solucionar problemas de fanSync WiFi

## ¿Cuál es el alcance entre el router y el ventilador de techo?

Dependiendo de la intensidad de la señal WiFi y del tipo de servicio WiFi, los controles WiFi fanSync tienen un alcance de hasta 100 pies (30 metros) según la versión del control fanSync WiFi que tenga. La versión original tiene una antena externa que se puede montar fuera de la carcasa del ventilador de techo que maximizará el alcance de hasta 100 pies (30 metros). La versión más reciente tiene la antena incorporada dentro de la caja del control que le da un alcance de 50 pies (15 metros).

## ¿Cómo conecto mi control fanSync WiFi con Amazon Echo, Google Home, SmartThings e IFTTT?

Abra la aplicación fanSync WiFi, en la esquina superior izquierda, haga clic en “Configuración”, en “Conexiones”, elija la plataforma a la que desea conectar su ventilador de techo.



### Ayuda para Amazon Alexa:

<https://www.amazon.com/gp/help/customer/display.html?nodeId=G3RKPNRKF33ECTW7>



### Ayuda para Google:

<https://support.google.com/googlenest/answer/7073578?hl=en>



### Ayuda para SmartThings:

[https://play.google.com/store/apps/details?id=com.samsung.android.oneconnect&pcampaignid=web\\_share](https://play.google.com/store/apps/details?id=com.samsung.android.oneconnect&pcampaignid=web_share)

*Para conectarse a NEST, ECOBEE, wink, etc. debe conectarse a través de IFTTT.*



### Ayuda para IFTTT:

<https://help.ifttt.com/hc/en-us/articles/115010325748-What-is-IFTTT->

## ¿Qué hay que hacer si vendo mi casa?

Simplemente entre en la aplicación fanSync WiFi, seleccione el ventilador de techo que ya no va a utilizar, vaya a “Configuración”, haga clic en “Eliminar dispositivo”. No es necesario que esté con el ventilador para eliminar el dispositivo — siempre y cuando tenga una señal WiFi o celular, puede eliminar desde cualquier lugar. El nuevo propietario ya puede añadir el dispositivo en la aplicación fanSync WiFi siguiendo las instrucciones de configuración inicial.

*\* Tenga en cuenta que, al eliminar un dispositivo, también se eliminará de todos los demás usuarios con los que se compartió el dispositivo, así como cualquier configuración anterior y las conexiones a los asistentes de voz.*

## ¿Cómo reinicio mi control de fanSync WiFi?

En la aplicación fanSync WiFi, seleccione el ventilador de techo/dispositivo que desea restablecer, vaya a “Configuración” y haga clic en “Eliminar dispositivo”.

- *Ventiladores con motor de CC con luz: la luz parpadeará dos veces y oírás dos pitidos que confirmarán que ha eliminado el dispositivo. Si su ventilador de techo no tiene luz y ha desactivado previamente la función de pitido en su mando a distancia puede comprobar en la aplicación fanSync WiFi que el dispositivo se ha eliminado desde su página de inicio.*
- *Los ventiladores con motor de CA con luz: la luz parpadeará dos veces para confirmar que el dispositivo se ha eliminado. Si su ventilador de techo no tiene luz, puede comprobar en la aplicación fanSync WiFi si se ha eliminado el dispositivo desde su página de inicio.*

## Preguntas frecuentes y consejos para solucionar problemas de fanSync WiFi (cont.)

Ahora tendrá que volver a añadir el dispositivo siguiendo las instrucciones de configuración inicial. \* Por favor, ten en cuenta que, al eliminar un dispositivo en la aplicación, también se eliminará de todos los demás usuarios con los que se compartió el dispositivo anteriormente, así como cualquier configuración anterior y las conexiones a los asistentes de voz.

### ¿Cuántos ventiladores de techo pueden estar activados en la aplicación fanSync WiFi?

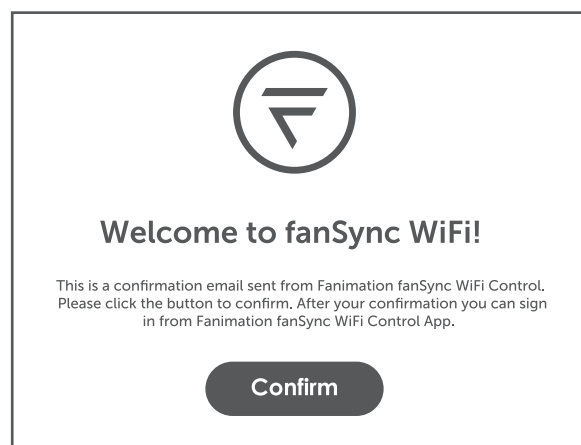
No hay límite en el número de ventiladores de techo que pueden estar visibles en la aplicación fanSync WiFi. No es necesario que estén en la misma señal WiFi, pueden controlarse desde cualquier lugar siempre que su dispositivo inteligente esté conectado a WiFi o tenga señal de teléfono móvil. El interruptor de pared de cada ventilador debe estar en la posición de encendido y, si hay un interruptor separado para el kit de luces del ventilador de techo, también debe estar en la posición de encendido. Cada ventilador de techo que desee controlar debe tener instalado un receptor fanSync WiFi.

### ¿Con cuántos usuarios puedo compartir el control de un ventilador de techo?

Si desea que otras personas puedan controlar un ventilador, deberán tener descargada la aplicación fanSync WiFi. Puedes compartir cada dispositivo individual con hasta 10 usuarios. En la aplicación, selecciona el ventilador que deseas compartir, selecciona configuración, compartir dispositivo.

### Pasos rápidos para solucionar problemas:

1. Compruebe que el router WiFi al que se conecta el ventilador de techo funciona correctamente y no es débil.
2. La configuración inicial puede bloquearse o fallar debido a que la señal WiFi es débil. Si este es el caso, por favor contacte con su proveedor de servicios y luego intente emparejar su control de nuevo.
3. El interruptor de pared que controla la fuente de alimentación hacia el ventilador de techo DEBE estar en la posición de ENCENDIDO (ON). Si tiene un interruptor de pared separado para la luz de su ventilador de techo, éste también DEBE estar SIEMPRE en la posición de Encendido (ON).
4. El interruptor de pared utilizado para controlar la alimentación de su ventilador de techo y la luz del ventilador de techo debe ser un verdadero interruptor oscilante o conmutador de encendido / apagado. No tiene una función de atenuación de ningún tipo.
5. Asegúrese de que el dispositivo inteligente está conectado a una red WiFi o tiene señal de teléfono móvil.
6. Asegúrese de que el software operativo de su dispositivo inteligente es la versión más reciente.
7. Compruebe si hay actualizaciones disponibles en la aplicación; si las hay, actualílas.
8. Si eligió configurar su cuenta fanSync WiFi utilizando la opción "correo electrónico", busque el correo electrónico de confirmación que recibió y pulse el botón "confirmar" dentro de ese correo electrónico. \*Si no encuentra este mensaje en su buzón de entrada, compruebe la carpeta de correo no deseado.\*
9. Si la configuración de su Router ha cambiado después de que se emparejó, hace que el dispositivo fanSync WiFi no pueda conectarse al Router original. Por favor, reinicie el dispositivo fanSync WiFi y espere 3 minutos, luego encontrará el SSID WiFi predeterminado Fanimation\_XXXXXXX para volver a agregar el dispositivo fanSync WiFi con los mismos pasos que la primera vez que emparejó el dispositivo.



---

## **Preguntas frecuentes y consejos para solucionar problemas de fanSync WiFi (cont.)**

### **¿Necesita más ayuda?**

Llame al servicio de atención al cliente de Fanimation al 1-888-567-2055 o envíe un correo electrónico a [techsupport@fanimation.com](mailto:techsupport@fanimation.com).

### **Por favor tenga la siguiente información lista para su llamada o incluida en su correo electrónico:**

- Nombre del proveedor de servicios WiFi
- Marca y modelo del router
- Dirección web de acceso a la configuración del router o dirección IP
- Nombre de su red WiFi actual
- Código de fecha de su control fanSync WiFi
- Número de modelo/Nombre del ventilador de techo en el que está utilizando fanSync WiFi
- Vaya a la aplicación fanSync WiFi, en la esquina superior izquierda, haga clic en “Configuración”, seleccione “Enviar comentarios”. Esto enviará un registro de uso y problemas a nuestro desarrollador de aplicaciones para sus dispositivos. Esto se puede utilizar para identificar sus problemas específicos.



---

# Guía del router inalámbrico fanSync

**Los Controles fanSync WiFi de Fanimation deben emparejarse a una red WiFi de 2.4 GHz.** La mayoría de los dispositivos domésticos inteligentes como bombillas inteligentes, timbres de puerta con vídeo, etc. utilizan 2.4 GHz, esto se debe a que la distancia de la señal es mucho más fuerte que 5G. Una vez emparejado, puede controlar su ventilador de techo en cualquier red WiFi o a través de su señal celular en su teléfono inteligente. Para la mayoría de los usuarios, el emparejamiento será rápido y sencillo, pero, dependiendo del tipo de router inalámbrico que tengas, es posible que necesites un poco más de información para empezar.

## ¿Cómo encuentro mi red WiFi?

Para identificar tu(s) red(es) WiFi conectada(s), abre la aplicación “Configuración” en tu smartphone y busca en “WiFi”.

## ¿Qué tipo de router tengo y cómo lo emparejo con mi receptor WiFi fanSync?

Si no está seguro de qué tipo de router tiene, puede introducir la marca y el número de modelo en un motor de búsqueda de Internet para obtener más información. Estos son los tipos de router más comunes:

### **Routers con banda única** *Configuración más común*

Muchos routers sólo admiten una banda única de 2.4 GHz con un único nombre WiFi que aparece en la pantalla WiFi de su smartphone **Si esta es su configuración, podrá emparejarse con esta red WiFi y fanSync Control se unirá automáticamente a su red.**

### **Enrutadores de doble banda, triple banda y malla**

Muchos de los routers más modernos admiten tanto la banda de 2.4 GHz como la de 5 GHz. Puede utilizar fácilmente los Controles fanSync WiFi de Fanimation en estos nuevos routers conectándose a la banda de 2.4 GHz. Existen dos tipos principales de routers de doble banda — de doble banda seleccionable y simultánea, así como los routers de Malla.

## Descubra cómo identificar su configuración:

### **Routers de doble banda seleccionables**

Estos routers te permiten alternar entre las bandas de 2.4 GHz y 5 GHz. Esta es probablemente tu configuración si aparecen dos nombres de WiFi diferentes en la pantalla de búsqueda de WiFi de tu smartphone (probablemente uno que termine en -2.4G y otro que termine en -5G). **Si esta es tu configuración, debes conectarte a la red WiFi que termina en -2.4G para poder emparejar.**

### **Routers de doble banda simultánea**

Estos routers permiten el uso de ambas bandas al mismo tiempo, todo bajo un único nombre WiFi que aparece en la pantalla de búsqueda WiFi de tu smartphone. **Si esta es tu configuración, podrás emparejarte en una red WiFi de 2.4 GHz. Consulta el manual de usuario de tu router para saber cómo configurarlo en una red de 2.4 GHz.**

### **Routers WiFi en Malla**

Estos nuevos routers como Eero, Nest WiFi y Orbi funcionan con una doble banda simultánea, con un único nombre WiFi que aparece en la pantalla de búsqueda WiFi de tu smartphone.

#### **Si tienes Eero, por ejemplo:**

**Puedes desactivar temporalmente la banda de 5 GHz tocando en Eero App -> Configuración > Solución de problemas > ‘Mi dispositivo no se conecta’, y luego toca en el botón “Pausar temporalmente 5 GHz”. Esto desactivará 5 GHz durante 10 minutos, con lo que puede ayudar a emparejar dispositivos de sólo 2.4 GHz.**

**Los Controles fanSync WiFi de Fanimation deben emparejarse a una red WiFi de 2.4 GHz.**

---

## Guía del router inalámbrico fanSync (cont.)

### ¿Qué debo hacer si sólo veo un nombre de red WiFi pero sigo sin poder emparejarme?

Es probable que tengas un router multibanda compatible con las bandas de 2.4 GHz y 5 GHz, pero la banda que está configurada no es la de 2.4 GHz. Probablemente tendrás que configurar las dos bandas seleccionables de tu router para que puedas seleccionar y utilizar la banda de 2.4 GHz.

#### Para configurar tu red necesitarás:

- La dirección de configuración web de tu router (normalmente encontrada en la etiqueta pegada en la parte trasera del router.) Puede aparecer como una dirección IP, una serie de números separados por puntos. (Ejemplo: <http://123.123.1.123>)

#### También puede necesitar:

- Una foto de toda la información que aparece en la parte posterior del router (marca/modelo, número de serie, código de acceso al dispositivo, etc.) El sitio web del fabricante de tu router puede requerir esta información para guiarte a las instrucciones de configuración correctas y completar la configuración.
- Tu contraseña WiFi actual

#### Paso 1

Introduzca la dirección de configuración web que aparece en la parte posterior del router en un navegador web de un dispositivo que esté conectado a esa red WiFi (puede ser un teléfono, una tableta o una computadora) para llegar a la página inalámbrica del sitio web del router. Sigue las instrucciones del fabricante sobre cómo configurar una banda de 2.4 GHz.

#### Paso 2

Selecciona la página de configuración de 2.4 GHz y configura el Nombre WiFi (SSID) en XXX-2.4G, donde XXX indica el nombre WiFi que deseas. Guarda la configuración.

#### Paso 3

Navega hasta la página de configuración de 5 GHz y configura el Nombre WiFi (SSID) en XXX-5G, donde XXX indica el nombre WiFi que deseas. Guarda la configuración.

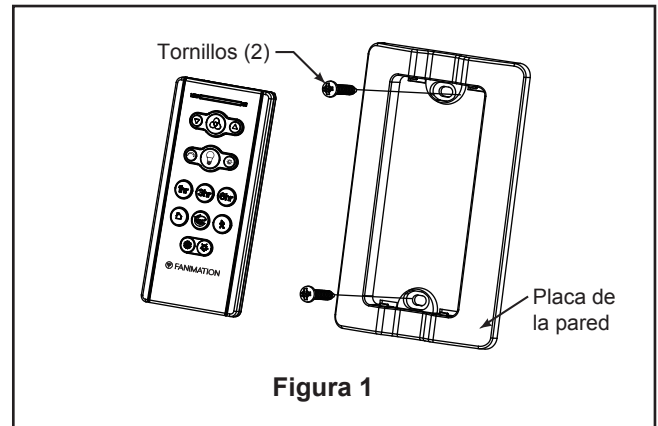
Mediante la adición de los sufijos -2.4/5G a tus nombres WiFi podrás diferenciar fácilmente las dos bandas. Una vez completada la configuración, los dos nuevos nombres de la red WiFi aparecerán en la pantalla de configuración WiFi de tu smartphone y podrás emparejar uniéndote a la red que termine en "-2.4G".

**NOTA:** Después de cambiar los nombres WiFi, es necesario volver a conectar todos los dispositivos que utilizan este router inalámbrico. La(s) contraseña(s) seguirá(n) siendo la(s) misma(s) si no se ha(n) cambiado.

---

## Cómo instalar su mando a distancia

- 1. Instalación de la placa de la pared: (Figura 1)  
Fije la placa de la pared usando los dos tornillos suministrados.



---

## Mantenimiento

El único mantenimiento necesario para el ventilador de techo es una limpieza periódica.  
Al llevar a cabo la limpieza, use sólo un cepillo suave o un paño sin pelusas, para evitar rayar el acabado.  
No se requieren agentes abrasivos de limpieza; los mismos deben evitarse para prevenir daños en el acabado.

### **PRECAUCIÓN**

**No utilice solventes para limpiar el ventilador de techo. Podrían dañar el motor o las aspas y ocasionar posibles descargas eléctricas.**

---

## Limpieza de las aspas

Se recomienda limpiar el polvo de las aspas periódicamente. Lo mejor es utilizar un plumero.

Evite usar agua, productos de limpieza o trapos ásperos, que pueden combar o dañar las aspas.

# Solución de problemas

## ⚠ ADVERTENCIA

Para su propia seguridad, desconecte la electricidad de la caja de fusibles o disyuntor antes de solucionar problemas en su ventilador.

Problema	Causa posible	Solución sugerida
<b>1. EL VENTILADOR NO ARRANCA</b>	<ol style="list-style-type: none"> <li>1. El fusible o el disyuntor están fundidos.</li> <li>2. Las conexiones eléctricas del ventilador o del interruptor en la caja del interruptor están flojas.</li> <li>3. Pila agotada del mando a distancia.</li> </ol>	<ol style="list-style-type: none"> <li>1. Controle los fusibles del circuito principal y derivado o los disyuntores.</li> <li>2. Controle las conexiones eléctricas del ventilador y del interruptor en las cajas de los interruptores.</li> </ol> <p><b>PRECAUCIÓN: ¡Asegúrese de que el suministro principal de electricidad esté desconectado!</b></p> <ol style="list-style-type: none"> <li>3. Sustituir con una pila nueva.</li> </ol>
<b>2. EL VENTILADOR HACE RUIDO</b>	<ol style="list-style-type: none"> <li>1. Las aspas no están sujetas al ventilador.</li> <li>2. Hay tornillos flojos en la caja del motor.</li> <li>3. Los conectores de cables dentro de la caja hacen ruido.</li> <li>4. Ruido del motor provocado por el control de velocidad de estado sólido variable.</li> </ol>	<ol style="list-style-type: none"> <li>1. Ajuste las aspas al ventilador antes de ponerlo en funcionamiento.</li> <li>2. Asegúrese de que todos los tornillos de la caja del motor estén bien ajustados (pero no en exceso).</li> <li>3. Asegúrese de que los conectores de cables en la caja del interruptor no produzcan ruido al rozar unos con otros o al rozar la pared interior de la caja del interruptor.</li> </ol> <p><b>PRECAUCIÓN: ¡Asegúrese de que el suministro principal de electricidad esté desconectado!</b></p> <ol style="list-style-type: none"> <li>4. Algunos motores de ventilador son sensibles a las señales de los controles de velocidad de estado sólido variables. Los controles de estado sólido no son recomendables. Escoja un método de control alternativo.</li> </ol>
<b>3. EL VENTILADOR OSCILA EN EXCESO</b>	<ol style="list-style-type: none"> <li>1. El tornillo de fijación y la tuerca del soporte de barral están flojos.</li> <li>2. La bola colgante con ranura no está alineada con la pestaña.</li> <li>3. El tornillo de fijación en la unidad del barral/de la semiesfera está flojo.</li> <li>4. El soporte de suspensión o la caja de distribución eléctrica del techo no están bien asegurados.</li> </ol>	<ol style="list-style-type: none"> <li>1. Ajuste bien los dos tornillos de fijación y las tuercas en el soporte de barral.</li> <li>2. Vuelva a colgar la bola colgante para asegurar la pestaña en la ranura.</li> <li>3. Ajuste el tornillo de fijación en la unidad del barral/de la semiesfera.</li> <li>4. Ajuste los tornillos del soporte de suspensión de la caja de distribución eléctrica y asegúrela.</li> </ol>
<b>4. EL MANDO A DISTANCIA SIN FUNCIONAR. EL LED INDICADOR DE CONTROL PARPADEA CONSTANTEMENTE.</b>	<ol style="list-style-type: none"> <li>1. La batería / baterías (pila/ pilas) se van a agotar.</li> </ol>	<ol style="list-style-type: none"> <li>1. Sustituir con la batería / baterías (pila/ pilas) nueva.</li> </ol>
<b>5. NO HAY SUFICIENTE MOVIMIENTO DE AIRE</b>		<ol style="list-style-type: none"> <li>1. Si es posible, considere el uso de un barral más largo. Por ejemplo (no incluido, usted puede comprar el tiempo de la vara hacia abajo <a href="http://fananimation.com">fananimation.com</a>).</li> </ol>

# Lista de piezas

Modelo N.º FPD6858\*\*

N.º de Ref.	Descripción	Pieza # N.º
1	Unidad del soporte de suspensión	AP255BL
2	Unidad del barral/de la semiesfera	ADR1-45**
3	Capuchón de techo	PG154**
4	Cubierta para el tornillo del capuchón	AP260**
5	Cubierta de unión del motor	AP835902**
6	Placa de pala	P685801**
7	Juego de aspas	AP685803**
8	Unidad del carcasa de interruptor	AP685805**
9	Unidad de luz	AP685810
10	Unidad de vidrio/kit de iluminación	AP685807
11	Cubierta del cable del kit de iluminación	P685809
12	Tapa de acero	AP685808**
13	Mano a distancia	TR305
14	Receptor	WFRCCD685800
15	Kit de cable de extensión	EWL60-23AMP
16	Bolsa de accesorios que contiene:	HDWFPD6858**
	Conectores de cables (4)	
	Bolsa de accesorios para el montaje de aspas que contiene:	
	3/16"-24 Truss Head Screw with Spring Washer /Flat Washer (13)	

\*\*Inserte los CÓDIGOS DE ACABADO (consulte el número de modelo del ventilador que se encuentra en el soporte de barral)

**NOTA:** La ilustración que se muestra no está hecha a escala y su configuración real y/o terminación puede variar.

**Antes de desechar los materiales de embalaje, asegúrese de haber extraído todas las piezas**

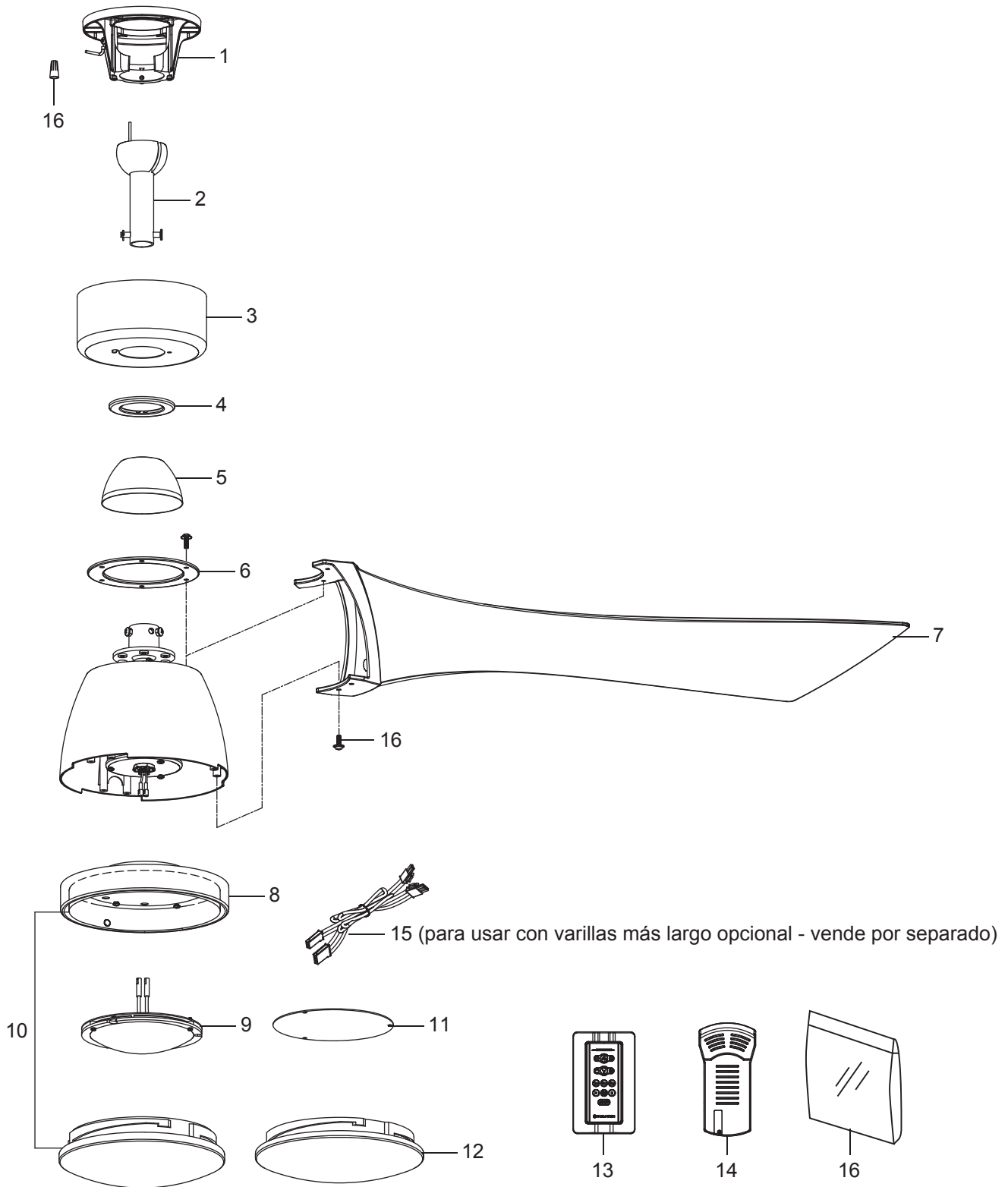
## Cómo hacer un pedido de piezas

Al hacer un pedido de piezas de repuesto, proporcione siempre la siguiente información:

- Número de modelo del ventilador
- Número de pieza
- Descripción de la pieza
- Código de fecha

Póngase en [techsupport@fanimation.com](mailto:techsupport@fanimation.com) o al 1-888-567-2055 para obtener las piezas de repuesto.

**Klear™**  
**Modelo N.º FPD6858\*\***  
**Ilustración del despiece**



**NOTA:** La ilustración que se muestra no está hecha a escala y su configuración real y/o terminación puede variar.





10983 Bennett Parkway  
Zionsville, IN 46077  
Llame sin cargo al (888) 567-2055  
FAX (866) 482-5215  
Desde fuera de los EE.UU., llame al (317) 733-4113  
Visite nuestro sitio Web en [www.fanimation.com](http://www.fanimation.com)

2024/01 V.01  
Copyright 2024 Fanimation